

CONNOLS-AIR

PAN CEILING DIFFUSER



LEADER IN AIR DISTRIBUTION PRODUCTS



The design esthetic of the square, integrated with the efficiency of the round diffusers suitable for VAV application.

CONNOLS-AIR DISTRIBUTION SYSTEM

Architecturally-styled, performance-engineered Pan Ceiling Diffusers combine the esthetic versatility of a square face with the efficient air distribution of a round neck diffuser.

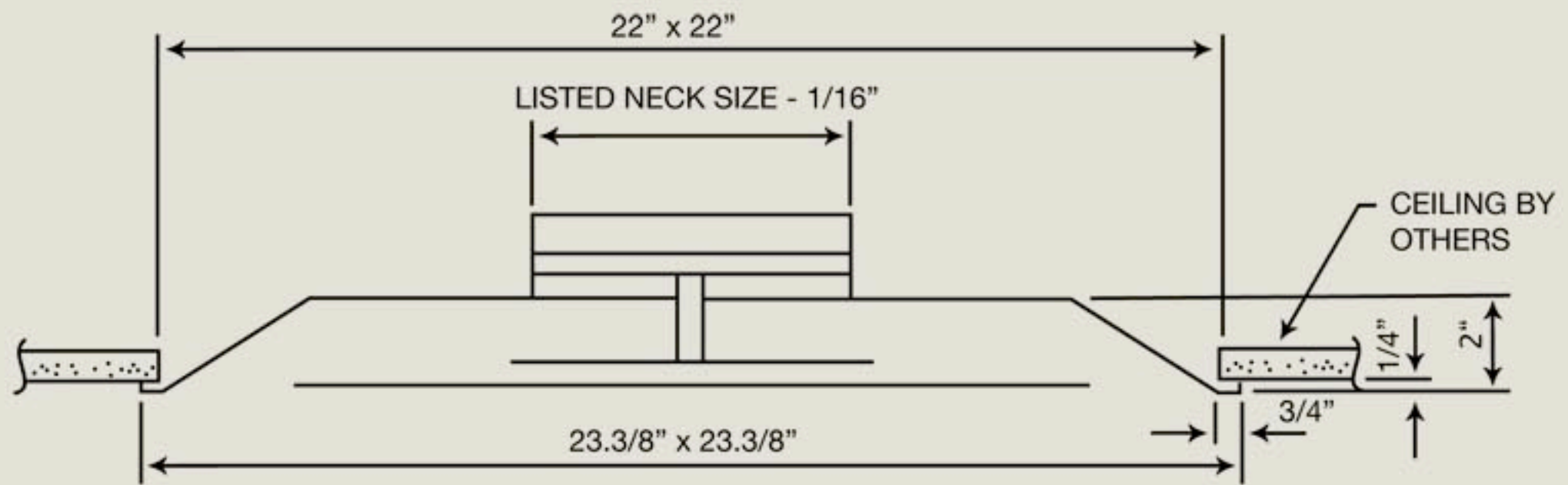
They are available in one size that maximize visual continuity throughout the building spaces served. These diffusers are designed for installation in lay-on tee-bar ceilings and surface mountings.

Design characteristics are the low, vertical, coffer profile (only 2 inches excluding the inlet collar) and the integral trim-type air volume damper which is easily adjusted without removing diffuser components and without the use of tools.

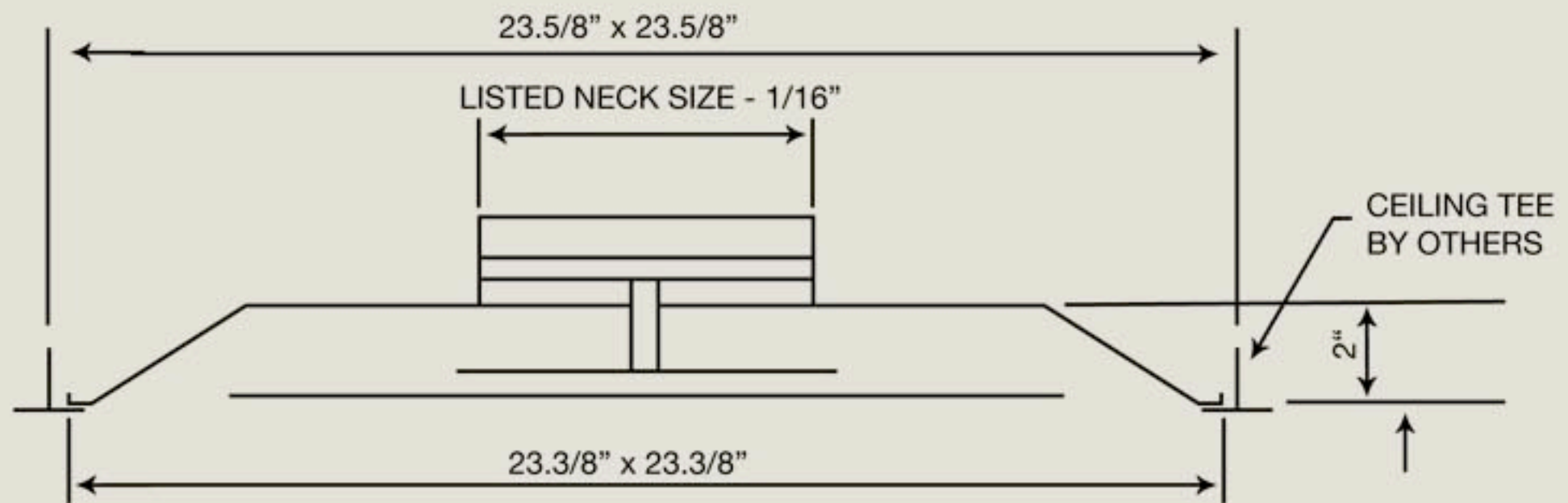
Pan Ceiling Diffusers are available in a choice of neck sizes which are standard for common 24" x 24" face size, providing the architect and interior designer with a building standard diffuser.

CONNOLS-AIR Pan Ceiling Diffuser are also available with motorized damper control for thermostatically actuated Variable Air Volume (Series NKPM). Pan Ceiling Diffusers and NKPM Diffusers are identically styled for use in mixed application installations.

Standard construction material is steel with white paint as the standard finish. Other colors are available upon request.



SURFACE MOUNTING



LAY-IN TEE MOUNTING

MODEL: Pan Ceiling Diffuser
 LISTED FACE SIZE: 24" x 24"
 OVERALL FACE SIZE: 23.3/8" x 23.3/8"
 LISTED NECK SIZE: 06 thru 14

SQUARE DIFFUSER SERIES NKP

Features

- > One face size: 24" x 24"
- > Seven round neck sizes: 5, 6, 7, 8, 10, 12, 14
- > Economical installation of round neck diffuser
- > Low profile: 2" basic diffuser height
- > Integral damper: no tools required
- > Removable face plate
- > Choice of mounting: lay-on tee-bar; surface; spline; flush
- > Continuity of appearance

PAN CEILING DIFFUSER

PERFORMANCE DATA-SERIES

PAN CEILING DIFFUSER Listed Size	CFM	P _T H ₂ O	THROW-T		*NC INDEX
			V _T 100	V _T 50	
062424	100	.05	2	3	-
	125	.08	2	3	-
	150	.11	3	4	-
	200	.20	4	5	20
	225	.25	4	6	25
072424	150	.06	2	3	-
	200	.11	3	4	-
	225	.14	3	5	-
	250	.17	4	7	22
	300	.24	7	9	30
082424	200	.06	2	3	-
	225	.08	2	4	-
	250	.09	3	5	-
	300	.13	4	7	20
	350	.18	6	9	25
	400	.23	8	11	30
102424	300	.04	3	5	-
	350	.06	4	6	-
	400	.07	5	7	-
	450	.09	6	9	-
	500	.12	7	10	20
	550	.14	8	12	22
	600	.17	10	14	25
122424	400	.05	3	5	-
	450	.07	4	6	-
	500	.08	5	7	-
	550	.10	6	9	-
	600	.12	7	10	21
	700	.16	8	12	24
	800	.21	9	14	29
142424	500	.05	4	7	-
	550	.06	5	9	-
	600	.07	7	10	-
	700	.10	8	12	20
	800	.13	9	13	24
	1000	.21	10	16	29
	1100	.25	12	19	32

SYMBOLS

CFM = Air volume cubic feet per minute

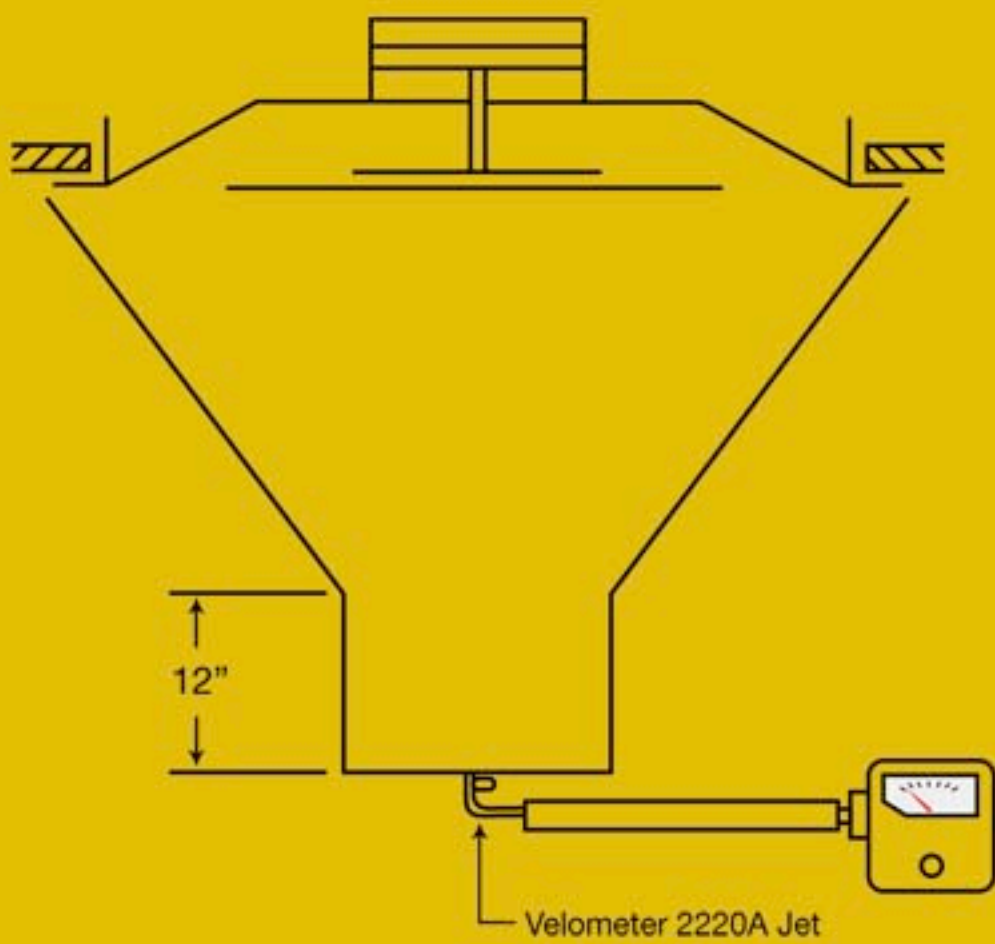
THROW T = Throw in feet at V_T100, V_T50

V_T100, V_T50 = Terminal velocity at 100 FPM, 50 FPM

P_T = Total pressure inches H₂O

*NC Index - a sound rating based on L_w1C⁻¹²W and using a 10db reduction in all octave bands. The resulting room NC value for any application may vary from NC Index in the table because the room NC value is affected by room absorption and system characteristics.

AIR MEASUREMENT



$$\text{CFM} = A_K \times V_K$$

Hood size: 24" x 24" top, 12" x 12" bottom
and overall height of 34"

Area factor (A_K) 1.01

Note: A_K includes 2% correction for average
hood resistance.

Guide Specification

Air diffusers shall be square face, round neck, single flate face plate type as indicated. The flat face plate shall be smooth and free of holes. The diffuser shall be operable without tools and without removal of the face plate. The vertical dimension of the diffuser shall not exceed 2 inches excluding the inlet collar. Diffusers shall have nominal face size of 24" x 24" regardless of inlet collar size. The diffuser NC Index Rating shall not exceed 32 when supplying an air volume related to a 1000 FPM neck velocity. Diffusers shall be series NKP as manufactured by Connols-Air (S) Pte Ltd.

Standard Warranty

Connols-Air, Singapore warrants that every product manufactured and sold by them described herein will be free from defects in material and workmanship under normal use and service for a period of one year after purchase. The company's obligation under this warranty shall be limited to replacing any such product which proves to be defective in workmanship or material under normal use and service within such period. The warranty shall not apply to component parts or accessories, which are covered only by the warranty of the manufacturer thereof. Any improper use, including but not limited to operation after the discovery of defective or worn parts, operation beyond rated capacity, substitution of parts not approved by the company, neglect, accident or any alteration or repair by others in such a manner as in the company's opinion materially and adversely affects the products, shall void this warranty.

The foregoing warranty is exclusive and is expressly in lieu of any other warranties elsewhere stated, express or implied, including any implied warranty or merchantability or fitness for a particular purpose or any other purpose. In the event that such implied warranties may be disclaimed entirely for any reason, such implied warranties shall be effective only for a period of one year after purchase. No person is authorized to assume for the company any other liability with respect to any product sold by the company, nor is any employee or representative authorized to alter this warranty in any way or grant any other warranty, unless such change is authorized in writing by an officer of the company at its home office. The company shall have no liability whatsoever in any event for payment of incidental or consequential damages, including without limitation, installation or delay costs or damages for injury to persons or property. The company makes no other representation or warranty or merchantability or the warranty of fitness for a particular purpose, other than the limited warranty set forth above. Every claim under this warranty shall be deemed waived unless submitted in writing, and received by the company within thirty (3) days of the date to which each claim relates, is discovered or should have been discovered.



CONNOLS-AIR (S) PTE LTD

3-B Joo Koon Circle, Singapore 629 034

Tel: +65 6861 5253 / Fax: +65 6826 0213

Email: enquiry@connols-air.com