

SDV

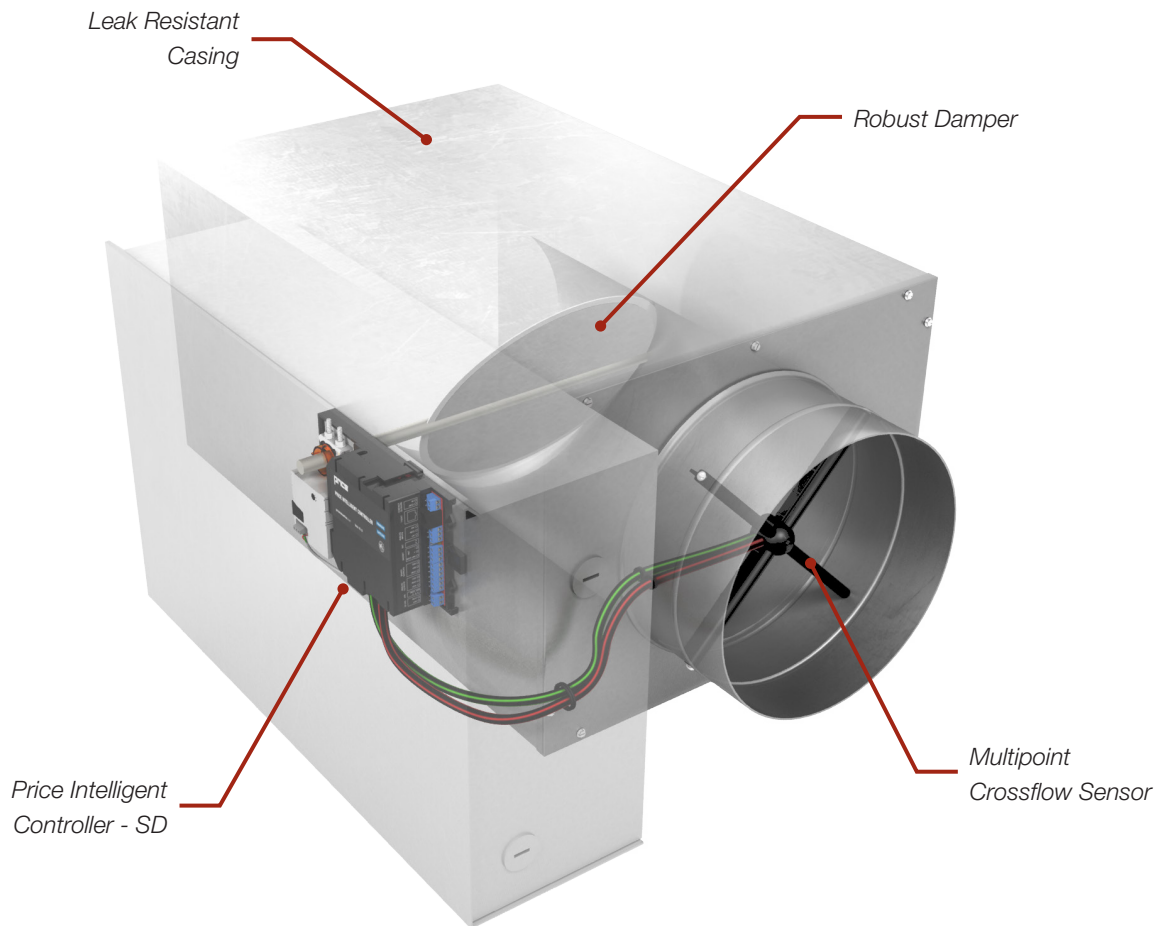
SINGLE DUCT TERMINAL UNIT



SDV

Single Duct Terminal Unit

With minimal pressure drop and low sound levels, the SDV controls the volume of conditioned air into an occupied space in response to a thermostat control signal. Incorporation of an airflow sensor allows the SDV to compensate instantly for any change in supply air pressure that might alter the supply volume, resulting in a pressure independent variable air volume system.



EXTREME VERSATILITY

Available with a multitude of accessories including liners, controls, reheat options, and sound attenuators, the SDV is well suited to almost any application. A compact configuration makes this unit easy to use in crowded mechanical spaces for new construction or retrofit projects.

ENGINEERED PERFORMANCE

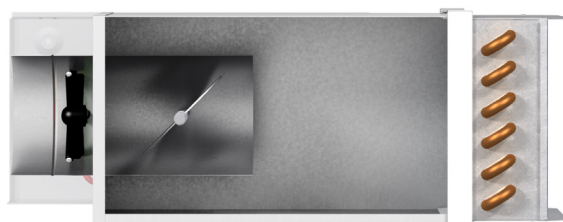
The clean and efficient design of this single duct terminal unit results in a system component with minimal pressure drop, reducing fan horsepower requirements and sound generation.

OVERSIZED CASING

Sizes 4 to 16 are available with an optional oversized casing to accommodate larger water coils, which reduces air pressure drop by increasing the face area, without sacrificing control of low airflows.



6" inlet with regular (6") casing



6" inlet with oversized (8") casing

TYPICAL APPLICATIONS

Designed to control the flow of conditioned air into an occupied space, single duct terminal units can be used in almost any application. A variety of accessories are available to tailor this unit to specific applications including those with stringent requirements for sound levels, temperature, and energy efficiency.

STANDARD DESIGN

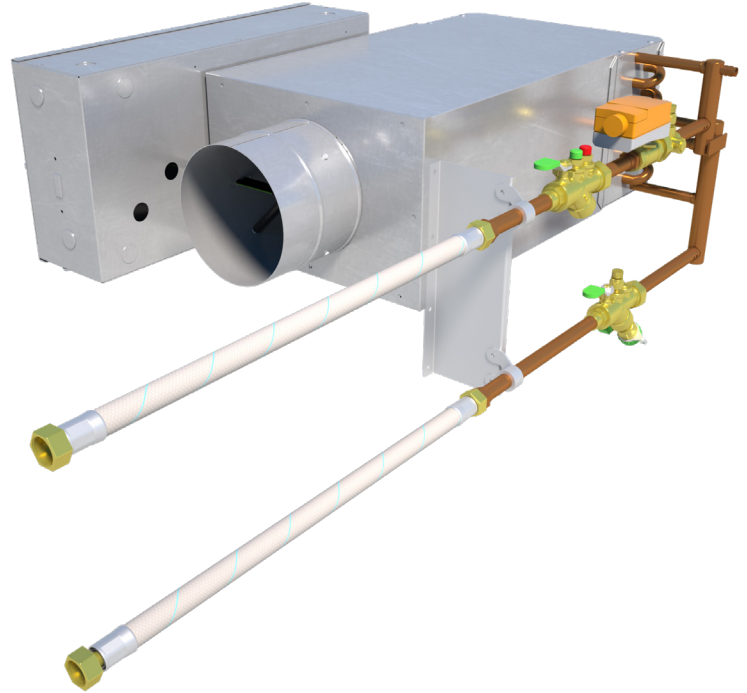
- + Heavy gauge damper with polyurethane gasket rated for up to 1.25 million cycles
- + Multipoint center averaging crossflow sensor for accurate airflow measurement
- + Slip and drive connection for quick installation

OPTIONAL FEATURES

- + Multiple liner options
- + Electric reheat
- + Hot water reheat
- + Attenuators - 3 ft. and 5 ft.
- + Integral silencers (SDVQ)
- + Certified low leakage construction
- + Oversized Casing
- + Low Profile Construction (SDVLP)

HOT WATER REHEAT

Price water coils are constructed from high quality materials and are AHRI 410 certified. Designed to optimize heat transfer and minimize pressure drop, water coils are available in high capacity and oversized configurations to meet the requirements of every project. For ease of maintenance, optional access doors are available for upstream or downstream installation, with a variety of fastening choices.



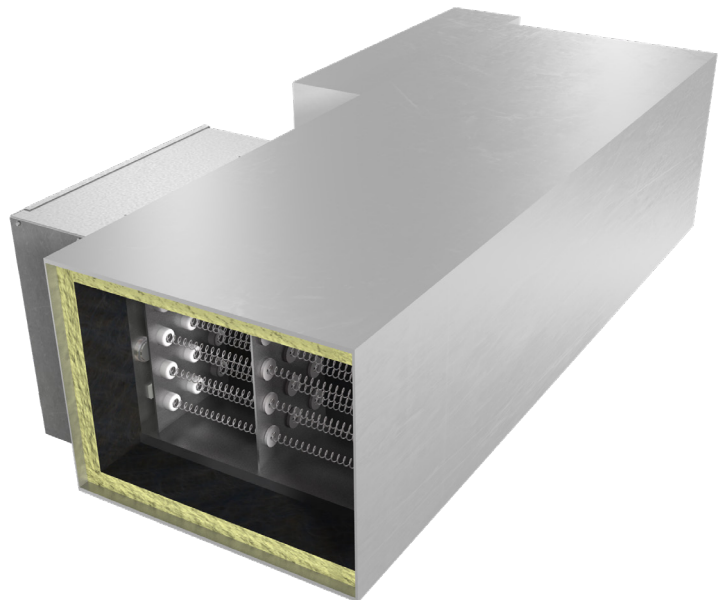
VALVE PACKAGES

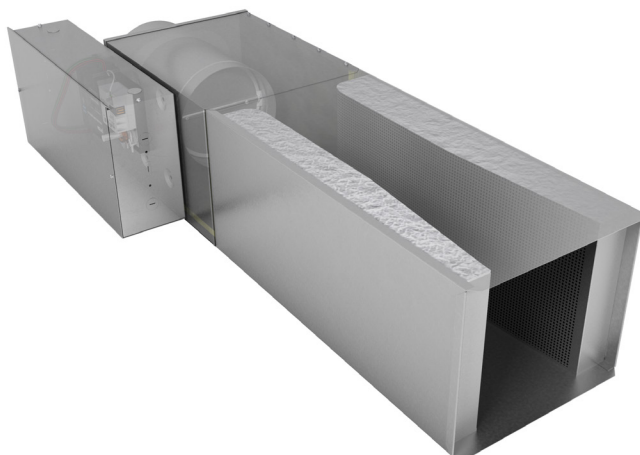
Hot water coils are available with a factory leak-tested valve package for simplicity and ease of installation. Each valve package is available with the following options:

- + 2-way or 3-way valves
- + Manual or automatic balancing valve
- + TCV supplied by Price or supplied by others and factory mounted
- + 1/2 in. or 3/4 in. piping package diameter

ELECTRIC REHEAT

Price electric coils are factory mounted, ETL listed to meet electrical safety standards, and comply with CSA 236/UL 1995. To simplify the installation process, single duct electric coils are field flippable allowing the coil to be reoriented between left and right hand configurations on site. Single duct electric heaters are a side-mounted, slide-in style, specifically designed to mount in the extended terminal casing allowing for easy field maintenance. To ensure safe operation, these electric heaters use thermal safety switches and low watt density heating elements to minimize hot spots.





QUIET CONSTRUCTION

The SDV is available with an integral discharge attenuator for a cost-effective solution in applications where additional sound attenuation is required. Integral attenuators are available with any of the standard Price liner options.

Selection of VAV terminals with a close coupled, independent silencer is a complex process with unpredictable results. Price eliminates the guess work by providing an optimized, fully tested and AHRI certified assembly. The casing design and optimized silencer geometry reduce self-generated noise and pressure drop resulting in the quietest single duct terminal unit available.

SEISMIC CERTIFICATION

Selected product configurations are OSHPD seismic pre-approved, in compliance with CBC 2013 and IBC 2012. The following terminal units, accessories, and controllers are listed on OSP Special Seismic Certification Pre-Approval #OSP-0302-10:

- + SDV, all sizes, ceiling suspended with or without spring isolators.
- + SDV with quiet construction, all sizes, with 3 ft, 5 ft.
- + Single duct hot water coil, 1-4 rows, aluminum fins, copper tubes.
- + All Price liner options.
- + Price PIC controls as well as a variety of third party controls. See OSP-0302-10 for a list of approved controls.

ACCESSORIES

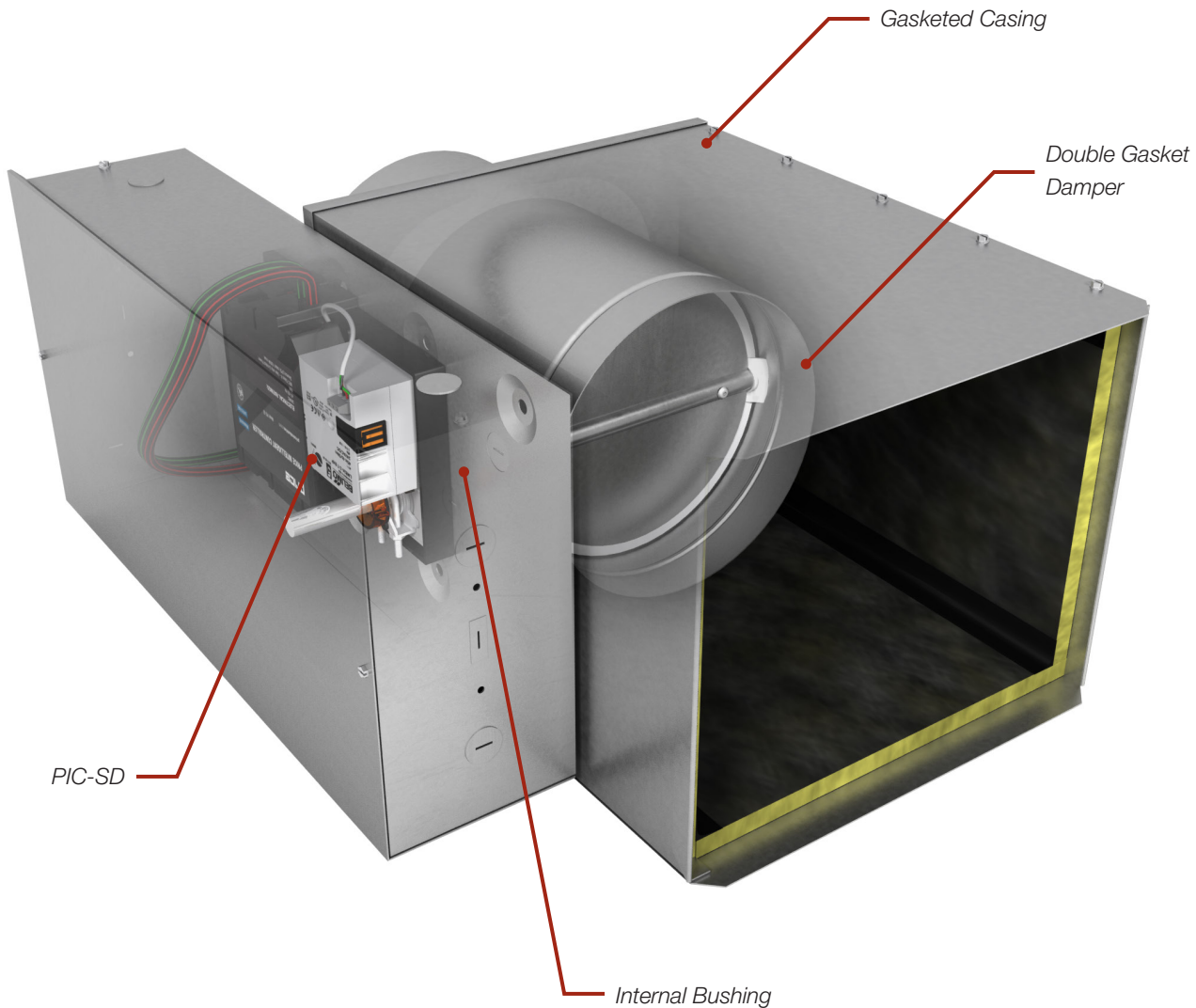
A variety of additional accessories are offered to meet specific job requirements. For information on these accessories please refer to the Terminal Units Accessories catalog.

CERTIFIED LOW LEAKAGE CONSTRUCTION

Certified low leakage (CLL) units are designed to target energy efficient installations where casing leakage and condensation prevention are important. Design features include:

- + Large compression style access doors with quarter-turn latches.

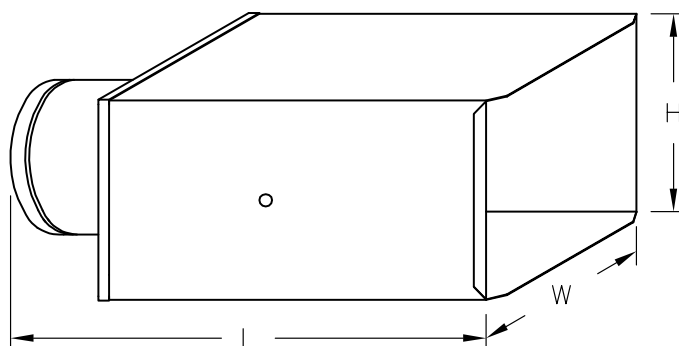
Each unit is factory leak tested to ensure casing leakage is less than 1% at 4in. w.g. and 1.5% at 6 in. w.g., meeting even the most stringent specifications.



CONTROLS

Price offers a complete line of controls to best suit any application. For exceptional user comfort, the Price Intelligent Controller (PIC) universal DDC control package is available factory installed and configured on all SDV units. The PIC can be used in conjunction with any Price thermostat to match the specific needs of the customer and provide excellent energy efficiency.

DIMENSIONAL DATA

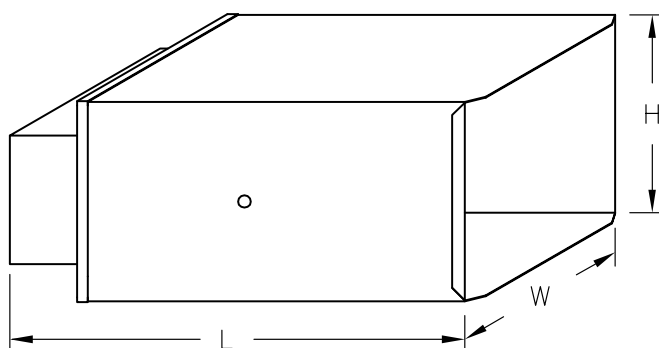


SDV

Size	Height (H)	Width (W)	Width (W) With Silencer	Length (L)					
				Basic Box*	With Electric Coil	With Attenuator ATT*	With Attenuator ATT5*	With Silencer FG Liner*	With Silencer PL/FC Liner*
4	8 in.	12 in.	12 in.	22 1/8 in.	42 3/16 in.	42 3/16 in.	81 1/8 in.	70 1/8 in.	70 1/8 in.
5				20 1/8 in.	40 3/16 in.	40 3/16 in.	79 1/8 in.	68 1/8 in.	68 1/8 in.
6									
7	10 in.	14 in.	14 in.	20 1/8 in.	40 3/16 in.	40 3/16 in.	79 1/8 in.	68 1/8 in.	68 1/8 in.
8									
9	12 1/2 in.	14 in.	14 in.	23 5/8 in.	40 3/16 in.	40 3/16 in.	82 5/8 in.	71 5/8 in.	95 5/8 in.
10	15 in.	16 in.	24 in.						
12	17 1/2 in.	20 in.	28 in.	19 in.	38 1/2 in.	-	-	67 in.	91 in.
14	18 in.	24 in.	32 in.						
16	18 in.	38 in.	46 in.						

*For 1 and 2 row water coils, add 5 in. to length. For 3 and 4 row water coils, add 7 1/4 in. to length.

**Size 24 x 16 is provided with a rectangular inlet.



Low Profile SDV

Size	Height (H)	Width (W)	Length (L)			
			Basic Box	With Electric Coil	With Attenuator ATT	With Attenuator ATT5
9	10 in.	17 1/2 in.	20 1/8 in.	44 3/8 in.	40 3/16 in.	79 1/8 in.
10						
12		30 in.	23 5/8 in.	44 3/8 in.	40 3/16 in.	82 5/8 in.
14						
16		38 in.				

PERFORMANCE DATA



SDV – AHRI Certification Rating Points

Unit Size	Rated Airflow	Minimum Operating Pressure Required	Radiated Sound Power Level, dB at 1.5 in.w.g. Octave Band							Discharge Sound Power Level, dB at 1.5 in.w.g. Octave Band						
	cfm	in.w.g.	2	3	4	5	6	7	2	3	4	5	6	7		
4	150	0.01	56	49	41	35	31	30	71	66	56	52	50	45		
5	250	0.01	59	51	44	36	32	28	72	67	59	54	51	48		
6	400	0.14	62	57	49	43	38	33	76	71	63	57	52	49		
7	550	0.07	61	54	47	38	32	29	75	71	60	55	53	50		
8	700	0.01	61	55	46	39	33	28	76	70	61	57	54	51		
9	900	0.01	60	54	49	41	36	32	74	69	61	58	56	54		
10	1100	0.01	61	55	47	39	32	31	75	69	60	58	55	53		
12	1600	0.01	61	55	52	44	37	35	74	68	63	60	57	55		
14	2100	0.01	62	57	50	41	37	35	74	67	65	59	57	56		
16	2800	0.01	62	59	53	48	44	37	74	67	64	62	60	57		
24x16	5300	0.01	73	68	62	53	47	40	82	79	74	72	71	66		

Performance Notes:

1. CFM, cubic feet per minute.
2. Inches of water gauge (in.w.g.)
3. Sound power levels expressed in decibels, (dB) re 10⁻¹² Watts.

PERFORMANCE DATA

SDV – Recommended Air Volume Ranges

Digital Controls

Unit Size	cfm Min. ³	cfm Max.
4	45	400
5	60	500
6	65	550
7	95	800
8	125	1100
9	160	1400
10	210	1800
12	300	2600
14	430	3700
16	575	5000
24 x 16	1185	8400

Notes:

1. Factory calibrated controls must be selected within the above flow range limits. A minimum value of 0 is also available. When an auxiliary flow setting is specified, the value must be greater than the minimum setting and within the range limits.
2. On controls mounted by Price but supplied by others, the air volume ranges are guidelines only.
3. Minimum airflow limit for digital controls is based on min 0.02 in.w.g. differential pressure signal from airflow sensor. Maximum airflow limit is based on max 1.5 in.w.g. differential pressure signal from airflow sensor.
4. Selection of airflow limits outside the listed values is not recommended. Stability and accuracy may not be acceptable at lower than recommended airflow limits. The actual performance will vary depending on the terminal unit controls supplied.

PERFORMANCE DATA

SDV – Typical Selection Guide

Unit Size	Airflow cfm	Basic Unit in.w.g.	w/Atten. in.w.g.	Minimum ΔPs Across Assembly in.w.g.		Discharge NC Basic Unit ΔPs Across Unit			Discharge NC c/w 36 in. Attenuator ΔPs Across Unit			Radiated NC Basic Unit ΔPs Across Unit		
				1 Row Coil	2 Row Coil	0.5 in.w.g.	1.5 in.w.g.	3.0 in.w.g.	0.5 in.w.g.	1.5 in.w.g.	3.0 in.w.g.	0.5 in.w.g.	1.5 in.w.g.	3.0 in.w.g.
4	75	0.01	0.01	0.02	0.03	--	--	--	--	--	--	--	--	--
	150	0.01	0.01	0.03	0.06	29	29	29	21	24	26	--	--	--
	200	0.01	0.01	0.04	0.09	35	35	35	26	29	31	21	22	23
	300	0.01	0.01	0.08	0.16	40	40	40	28	31	33	29	31	31
	400	0.01	0.01	0.12	0.25	46	46	47	33	36	38	35	36	37
5	125	0.01	0.01	0.03	0.05	--	--	20	--	--	--	--	--	--
	250	0.01	0.01	0.06	0.12	24	30	33	--	24	28	--	20	23
	300	0.01	0.01	0.08	0.16	23	29	32	--	23	27	--	24	27
	400	0.01	0.01	0.12	0.25	27	34	38	--	27	31	22	29	32
	500	0.01	0.01	0.16	0.35	31	38	42	22	30	34	26	32	36
6	150	0.02	0.02	0.04	0.07	--	20	23	--	--	--	--	--	--
	225	0.05	0.05	0.09	0.14	20	26	30	--	20	24	--	--	20
	300	0.08	0.08	0.15	0.23	21	27	31	--	--	23	--	21	25
	400	0.14	0.14	0.25	0.38	26	36	36	--	23	27	20	26	29
	550	0.27	0.27	0.45	0.67	31	37	41	21	27	31	25	31	34
7	250	0.02	0.02	0.06	0.10	--	23	26	--	--	20	--	--	--
	350	0.03	0.03	0.09	0.17	--	24	28	--	--	21	--	--	20
	550	0.07	0.07	0.20	0.37	25	31	36	--	24	28	--	24	27
	625	0.1	0.1	0.26	0.47	27	33	38	--	25	30	20	25	29
	800	0.16	0.16	0.41	0.72	28	36	41	20	27	32	23	28	33
8	400	0.01	0.01	0.09	0.19	--	22	26	--	--	21	--	--	21
	500	0.01	0.01	0.12	0.27	20	26	30	--	--	24	--	--	24
	700	0.01	0.01	0.21	0.46	26	31	36	--	24	28	--	24	29
	900	0.01	0.01	0.31	0.69	27	34	38	--	24	29	22	28	33
	1100	0.01	0.01	0.43	0.96	31	37	41	--	27	32	26	31	36
9	450	0.01	0.01	0.06	0.13	--	22	28	--	--	25	--	--	22
	700	0.01	0.01	0.12	0.25	--	26	33	--	22	28	--	21	26
	900	0.01	0.01	0.17	0.38	20	27	34	--	22	29	--	23	29
	1100	0.01	0.01	0.24	0.52	23	30	37	--	24	30	--	25	31
	1400	0.01	0.01	0.35	0.77	26	33	39	--	26	32	20	28	33
10	550	0.01	0.01	0.08	0.17	--	21	28	--	--	23	--	--	22
	950	0.01	0.01	0.19	0.41	--	26	32	--	21	27	--	22	28
	1100	0.01	0.01	0.24	0.52	--	28	34	--	23	28	--	24	30
	1500	0.01	0.01	0.39	0.87	23	31	38	--	26	32	21	27	33
	1800	0.01	0.01	0.53	1.17	25	34	40	20	28	34	23	30	35
12	900	0.01	0.01	0.11	0.23	--	21	29	--	--	25	--	20	26
	1200	0.01	0.01	0.17	0.37	--	24	31	--	22	28	--	24	29
	1600	0.01	0.01	0.27	0.58	--	26	33	--	24	31	--	26	32
	1800	0.01	0.01	0.32	0.71	--	28	34	--	25	32	--	28	34
	2600	0.01	0.01	0.58	1.29	21	32	38	21	30	36	23	32	38
14	1000	0.01	0.01	0.08	0.16	--	--	27	--	23	30	--	--	26
	1500	0.01	0.01	0.14	0.29	--	22	30	--	25	32	--	23	30
	2100	0.01	0.01	0.23	0.50	--	26	33	--	28	35	--	26	34
	2700	0.01	0.01	0.35	0.76	--	28	35	--	29	36	--	29	36
	3700	0.01	0.01	0.58	1.28	20	31	38	20	32	39	23	33	40
16	1500	0.01	0.01	0.10	0.21	--	20	28	--	21	29	--	22	29
	2000	0.01	0.01	0.15	0.33	--	23	31	--	24	32	--	25	32
	2600	0.01	0.01	0.23	0.50	--	26	33	--	26	34	--	28	35
	3200	0.01	0.01	0.32	0.70	--	28	35	--	28	36	20	31	38
	4000	0.01	0.01	0.46	1.01	--	30	37	--	31	38	23	33	40
5000	0.01	0.01	0.67	1.47	20	32	40	21	33	40	26	36	43	
24x16	3000	0.01	0.01	0.16	0.33	23	32	37	--	27	32	24	31	35
	4000	0.01	0.01	0.25	0.52	27	35	41	23	31	36	29	35	39
	5300	0.01	0.01	0.39	0.83	30	39	44	27	35	40	30	39	43
	6000	0.01	0.01	0.47	1.02	32	41	46	28	37	42	31	41	45
	7000	0.01	0.01	0.61	1.32	34	42	48	30	39	44	32	43	47
	8400	0.01	0.01	0.83	1.80	36	45	50	33	41	46	33	46	50

Performance Notes:

- NC's are derived from sound power levels, which are obtained in accordance with AHRI Standard 880-2017 and ASHRAE Standard 130-2016.
- Dashes (--) indicate sound power levels below 20.
- ΔPs is the difference in static pressure from inlet to discharge of the unit.

- NC values are calculated based on typical attenuation values outlined in Appendix E, AHRI Standard 885-2008, "A Procedure for Estimating Occupied Space Sound Levels in the Application of Air Terminals and Air Outlets."

Radiated NC is based on 5/8" mineral fiber tile ceiling per AHRI 885-2008 attenuation values.

Radiated Sound

Total Deduction	Octave Band Mid Frequency, Hz					
	120	250	500	1000	2000	4000
All Sizes	18	19	20	26	31	36

Discharge NC is based on environmental effect, end reflection, flex duct, sound power division and lined duct per AHRI 885-2008 attenuation values

Discharge Sound

Total Deduction	Octave Band Mid Frequency, Hz					
	120	250	500	1000	2000	4000
< 300 cfm	24	28	39	53	59	40
300-700 cfm	27	29	40	51	53	39
> 700 cfm	29	30	41	51	52	39

PERFORMANCE DATA



SDV – Discharge Sound Power Levels, Basic Assembly

Unit Size	Airflow cfm	Sound Power Levels Lw dB re 10 ⁻¹² Watts																											
		0.5 in.w.g.							1.0 in.w.g.							1.5 in.w.g.							3.0 in.w.g.						
		Octave Band							Octave Band							Octave Band							Octave Band						
		2	3	4	5	6	7	2	3	4	5	6	7	2	3	4	5	6	7	2	3	4	5	6	7				
4	75	60	53	41	37	35	31	60	53	43	40	39	35	60	53	45	42	42	38	60	54	48	45	46	41				
	150	71	65	51	47	43	39	71	66	54	51	48	43	71	66	56	52	50	45	71	66	58	56	55	49				
	200	76	71	56	52	47	43	76	71	58	55	51	46	76	71	60	57	54	49	76	72	63	60	58	53				
	275	81	77	60	56	51	46	81	77	63	59	55	50	81	77	65	61	58	52	81	78	68	64	62	56				
5	125	58	52	44	40	36	33	61	55	48	43	41	38	62	56	50	45	44	41	64	59	54	49	49	47				
	250	69	63	53	48	43	40	71	66	57	52	48	45	72	67	59	54	51	48	74	70	63	57	56	53				
	300	71	66	56	51	45	41	74	68	60	54	50	47	75	70	62	56	53	50	77	72	66	60	58	55				
	375	75	69	59	54	47	43	77	72	63	57	52	49	78	73	65	59	55	52	80	76	69	63	60	57				
6	150	60	51	43	39	34	33	62	55	47	43	40	39	64	57	50	45	44	42	67	61	54	49	49	49				
	225	64	57	49	44	38	35	67	61	53	48	44	42	69	63	55	50	47	45	72	67	59	54	53	51				
	300	68	61	52	47	40	37	71	65	57	51	46	43	73	67	59	53	49	47	75	71	63	58	55	53				
	400	72	66	56	50	43	39	74	69	61	55	48	45	76	71	63	57	52	49	79	75	67	61	58	55				
550	75	70	61	54	45	41	78	74	65	58	51	47	80	76	67	61	54	51	83	80	72	65	60	57					
7	250	62	52	42	40	37	35	65	57	47	44	43	41	66	60	50	46	46	44	69	64	55	50	51	50				
	350	66	57	47	44	40	37	69	62	51	48	46	43	70	64	54	50	49	47	73	69	59	54	54	53				
	550	71	63	53	49	44	41	74	68	57	53	50	46	75	71	60	55	53	50	78	75	65	59	58	56				
	625	72	65	54	51	45	42	75	70	59	54	51	47	77	73	62	57	54	51	80	77	67	61	59	57				
800	75	69	58	53	47	43	78	73	62	57	53	49	80	76	65	60	56	53	82	81	70	64	62	58					
8	400	64	54	46	44	40	36	67	59	50	47	46	43	69	61	53	49	49	46	72	66	57	52	54	52				
	500	67	58	49	47	43	38	70	62	53	50	48	44	72	65	56	52	51	48	75	69	60	55	56	54				
	700	72	63	54	52	46	41	75	67	58	55	51	47	76	70	61	57	54	51	80	74	65	60	60	57				
	900	75	66	58	56	48	43	78	71	62	59	54	49	80	73	65	61	57	53	83	78	69	64	62	59				
1050	77	69	60	58	50	45	80	73	64	61	55	51	82	76	67	63	58	54	85	80	71	67	64	60					
9	450	61	54	45	44	42	38	65	60	50	47	47	44	67	63	53	49	50	48	70	69	58	52	56	54				
	700	66	58	51	50	46	42	70	64	56	53	51	48	72	67	58	55	54	52	75	73	63	58	59	58				
	900	69	60	54	53	48	44	72	66	59	56	53	50	74	69	61	58	56	54	78	75	66	62	61	60				
	1100	71	62	56	56	50	46	75	68	61	59	55	52	77	71	64	61	58	56	80	77	69	64	63	62				
1400	74	64	59	59	52	48	77	70	64	62	57	54	79	73	67	64	60	58	83	79	72	68	65	64					
10	550	61	54	44	43	41	38	66	60	48	47	47	44	68	63	51	49	50	47	72	68	56	53	55	53				
	950	67	60	50	50	46	43	71	65	55	54	51	48	73	68	58	56	54	52	78	73	63	60	60	58				
	1100	68	61	52	52	47	44	72	66	57	56	52	50	75	69	60	58	55	53	79	75	65	62	61	59				
	1500	71	64	56	56	50	46	75	69	61	60	55	52	78	72	64	62	58	56	82	78	68	66	63	61				
1800	73	66	58	58	51	48	77	71	63	62	56	54	80	74	66	64	60	57	84	79	71	68	65	63					
12	900	61	54	49	46	44	42	66	60	54	51	49	48	69	64	57	54	52	51	74	70	62	59	58	57				
	1200	63	56	52	49	46	44	69	62	57	54	52	50	72	66	60	57	55	53	77	72	66	62	60	59				
	1600	66	58	55	52	49	46	71	64	60	57	54	52	74	68	63	60	57	55	79	74	69	65	62	61				
	1800	67	59	56	53	49	47	72	65	62	58	55	53	75	69	65	61	58	56	80	75	70	66	63	62				
2500	70	61	60	57	52	49	75	67	65	62	57	55	78	71	69	64	60	59	83	77	74	69	66	65					
14	1000	59	52	47	45	44	41	65	58	52	50	49	48	68	62	55	53	52	51	73	69	60	57	57	58				
	1500	62	54	52	49	47	44	68	61	57	54	52	50	71	65	60	56	55	54	76	71	66	61	60	60				
	2100	65	57	57	52	50	46	70	63	62	57	55	52	74	67	65	59	57	56	79	74	70	64	62	62				
	2500	66	58	60	53	51	47	72	64	65	58	56	53	75	68	68	61	59	57	80	75	73	66	64	64				
3500	69	60	65	56	54	49	74	67	70	61	59	55	78	70	73	64	61	59	83	77	78	69	66	66					
16	1500	60	52	49	49	47	43	66	59	55	54	52	49	69	63	58	57	56	53	75	70	63	62	62	60				
	2000	62	54	53	51	49	45	68	61	58	56	54	51	72	65	61	59	58	55	77	72	66	65	63	62				
	2500	64	56	55	53	50	46	70	63	60	58	56	53	73	67	63	61	59	56	79	73	68	67	65	63				
	2800	65	57	56	54	51	47	71	63	61	59	57	53	74	67	64	62	60	57	80	74	70	68	66	64				
3500	67	58	59	56	52	48	73	65	64	61	58	55	76	69	67	64	61	59	82	76	72	69	67	65					
4500	69	60	61	58	54	50	74	67	67	63	60	56	78	71	70	66	63	60	84	77	75	71	69	67					
24x16	3000	68	66	60	58	58	51	72	70	66	65	64	58	74	73	69	69	67	62	78	78	75	75	73	69				
	4000	72	69	62	60	60	53	76	73	68	67	65	60	78	76	71	71	69	64	82	81	77	77	75	71				
	5300	76	72	65	62	61	55	79	76	70	68	67	62	82	79	74	72	71	66	85	84	79	79	76	72				
	6000	77	73	66	62	62	55	81	77	71	69	68	62	83	80	75	73	71	66	87	85	80	79	77	73				
7000	79	74	67	63	63	56	83	79	73	70	69	63	85	82	76	74	72	67	89	86	82	80	78	74					
8400	81	76	68	64	64	57	85	81	74	71	70	64	87	84	77	75	74	68	91	88	83	81	79	75					

Performance Notes:

1. Test data obtained in accordance with AHRI Standard 880-2017 and ASHRAE Standard 130-2016.
2. Sound power levels include duct end corrections per AHRI Standard 880-2017.
3. AHRI certified data is highlighted in blue. All other data are application ratings.
4. Application ratings are outside the scope of the AHRI 880-2017 Certification Program.

PERFORMANCE DATA

SDV – Discharge Sound Power Levels with 3 ft Attenuator

Unit Size	Airflow cfm	Sound Power Levels Lw dB re 10 ⁻¹² Watts																											
		0.5 in.w.g. Octave Band							1.0 in.w.g. Octave Band							1.5 in.w.g. Octave Band							3.0 in.w.g. Octave Band						
		2	3	4	5	6	7	2	3	4	5	6	7	2	3	4	5	6	7	2	3	4	5	6	7				
4	75	56	46	37	28	19	17	57	48	41	32	23	17	58	49	44	35	26	17	60	51	48	40	32	25				
	150	65	57	44	36	23	17	66	59	49	40	29	18	67	60	51	43	32	22	69	62	56	47	38	30				
	200	69	61	48	39	25	17	70	63	52	43	31	20	71	64	55	46	34	24	72	66	59	51	40	31				
	275	73	66	51	42	28	22	74	68	56	47	34	22	75	69	58	50	37	26	76	71	62	54	43	34				
	300	75	68	53	44	30	22	76	70	59	50	37	25	77	71	61	52	40	29	78	73	64	56	45	36				
5	125	55	44	39	29	21	17	58	47	43	34	27	17	59	50	46	37	30	22	62	53	50	41	35	28				
	250	64	53	46	36	25	17	66	56	51	41	30	20	68	59	53	44	33	24	70	62	57	48	38	30				
	300	66	55	48	38	26	17	68	59	52	43	31	21	70	61	55	46	34	24	73	65	59	50	39	30				
	375	69	58	50	41	27	17	71	62	55	45	32	22	73	64	57	48	35	25	75	68	62	53	40	31				
	400	71	60	52	43	28	22	73	64	57	48	35	25	75	66	59	50	37	26	77	70	64	55	42	33				
6	150	55	43	38	28	19	17	58	48	43	33	25	17	60	50	46	36	28	19	63	55	51	41	35	27				
	225	59	49	42	32	21	17	62	53	47	37	27	17	64	56	50	40	31	22	67	60	55	45	37	30				
	300	62	52	46	35	22	17	65	57	51	40	29	19	67	59	53	43	32	24	70	64	58	48	39	31				
	400	65	56	49	37	24	17	68	60	54	43	30	21	70	63	57	46	34	25	73	67	62	51	40	33				
	550	68	60	52	40	26	17	71	64	57	46	32	23	73	67	60	49	36	27	76	71	65	54	42	35				
7	250	56	47	38	31	20	18	59	51	44	36	27	25	61	54	48	39	31	29	64	58	55	45	37	37				
	350	59	51	42	35	23	19	63	55	49	40	29	26	65	58	52	43	33	31	68	62	59	49	39	38				
	550	65	57	48	40	26	21	68	61	54	46	33	28	70	64	58	49	36	32	73	68	64	54	43	39				
	625	66	59	49	42	27	21	70	63	56	47	34	28	71	66	59	50	37	33	75	70	66	55	44	40				
	800	69	62	52	45	29	22	72	66	59	50	36	29	74	69	63	53	39	33	78	73	69	58	46	41				
8	400	59	50	43	36	26	18	62	55	49	41	32	25	65	57	53	44	35	29	68	62	59	49	42	36				
	500	61	53	44	38	27	20	65	57	51	43	33	27	67	60	54	46	37	31	70	64	61	51	43	38				
	700	64	56	47	41	29	22	68	61	54	46	35	29	70	64	57	49	39	33	74	68	64	54	45	40				
	900	67	59	49	43	31	24	70	64	56	48	37	31	72	66	59	51	41	35	76	71	66	56	47	42				
	1050	68	61	51	44	32	25	72	65	57	50	38	32	74	68	61	53	42	37	77	72	67	58	48	44				
9	450	60	51	46	38	29	25	64	57	52	43	36	32	66	60	56	46	39	37	70	66	63	51	46	44				
	700	63	54	48	42	31	27	67	59	55	47	38	34	69	63	59	50	42	39	73	69	65	55	48	46				
	900	65	55	50	44	33	28	69	61	56	49	39	36	71	64	60	52	43	40	75	70	67	57	50	47				
	1100	66	57	51	46	34	29	70	62	58	51	40	37	72	66	62	54	44	41	76	72	68	59	51	48				
	1400	68	58	53	48	35	31	72	64	59	53	42	38	74	67	63	56	45	42	78	73	70	61	52	50				
10	550	59	49	46	38	30	30	63	55	52	44	37	33	66	59	56	47	40	34	70	65	62	52	47	37				
	950	64	53	49	43	34	33	68	59	56	48	40	36	70	63	59	51	43	38	74	69	66	56	50	40				
	1100	65	54	50	44	34	34	69	60	57	49	41	37	72	64	60	52	44	39	76	70	67	57	51	41				
	1500	68	57	52	46	36	36	72	63	58	52	42	39	74	66	62	55	46	40	78	72	69	60	52	43				
	1800	69	58	53	48	37	37	73	64	60	53	43	40	76	67	63	56	47	41	80	73	70	61	53	44				
12	900	59	53	49	42	35	31	63	59	55	48	41	38	66	62	59	51	45	42	70	67	66	56	51	49				
	1200	62	55	51	44	37	33	66	61	57	50	43	40	69	64	61	53	47	44	73	70	68	59	53	51				
	1600	65	58	53	46	39	35	69	63	59	52	45	42	72	66	63	55	48	46	76	72	70	61	54	53				
	1800	66	59	53	47	40	36	70	64	60	53	46	43	73	67	64	56	49	47	77	73	70	62	55	53				
	2500	69	61	56	49	42	38	74	67	62	55	48	45	76	70	66	58	51	49	81	76	73	64	57	56				
14	1000	63	54	47	42	37	33	68	60	53	48	43	40	71	64	56	51	47	44	77	71	62	57	52	50				
	1500	65	55	50	45	40	36	70	62	56	50	46	42	73	66	60	54	49	46	79	73	66	59	55	52				
	2100	66	57	53	47	42	37	72	64	59	52	48	44	75	68	62	56	51	48	81	75	68	61	57	54				
	2500	67	58	54	48	43	38	73	64	60	53	49	45	76	68	64	57	52	49	82	75	70	62	58	55				
	3500	69	59	57	50	45	40	75	66	63	55	51	47	78	70	67	59	54	51	83	77	73	64	60	57				
16	1500	61	53	49	45	41	34	66	60	55	51	47	42	70	64	58	54	51	46	75	71	63	60	57	53				
	2000	63	55	52	47	43	36	69	62	57	53	49	44	72	66	61	56	52	48	78	73	66	61	59	55				
	2500	65	57	54	48	44	38	70	63	60	54	50	45	74	67	63	57	54	50	79	74	68	63	60	57				
	2800	65	57	55	49	45	39	71	64	61	55	51	46	75	68	64	58	54	50	80	75	69	63	61	58				
	3500	67	59	57	50	46	40	73	66	63	56	52	48	76	70	66	59	56	52	82	76	71	65	62	59				
4500	69	60	60	52	47	42	75	67	65	58	54	49	78	71	68	61	57	54	84	78	74	66	63	61					
24x16	3000	67	62	57	51	47	42	71	66	62	58	53	48	73	69	66	62	57	52	77	73	71	68	63	59				
	4000	70	65	59	52	48	43	74	70	65	59	54	50	76	72	68	63	58	54	80	77	73	70	64	61				
	5300	74	68	61	54	50	45	77	73	67	60	56	52	80	75	70	64	60	56	83	80	76	71	66	63				
	6000	75	70	62	54	50	46	79	74	68	61	57	52	81	77	71	65	60	56	85	81	77	72	67	63				
	7000	77	72	64	55	51	46	81	76	69	62	57	53	83	79	72	66	61	57	87	83	78	73	67	64				
8400	79	74	65	56	52	48	83	78	71	63	58	54	85	81	74	67	62	58	89	85	79	74	68	65					

Performance Notes:

1. Test data obtained in accordance with AHRI Standard 880-2017 and ASHRAE Standard 130-2016.
2. Sound power levels include duct end corrections per AHRI Standard 880-2017.
3. All data are application ratings. Application ratings are outside the scope of the AHRI 880-2017 Certification Program.

PERFORMANCE DATA



SDV – Radiated Sound Power Levels

Unit Size	Airflow cfm	Sound Power Levels Lw dB re 10 ⁻¹² Watts																											
		0.5 in.w.g. Octave Band							1.0 in.w.g. Octave Band							1.5 in.w.g. Octave Band							3.0 in.w.g. Octave Band						
		2	3	4	5	6	7	2	3	4	5	6	7	2	3	4	5	6	7	2	3	4	5	6	7				
4	75	45	36	26	22	20	20	46	37	29	25	23	23	46	37	31	27	24	25	47	38	34	30	27	28				
	150	54	48	35	30	27	25	55	49	39	33	30	28	56	49	41	35	31	30	57	50	44	38	34	34				
	200	58	53	40	34	30	27	59	53	43	37	32	30	60	54	45	39	34	32	61	55	48	41	37	36				
	275	63	58	44	38	33	29	64	59	47	41	36	33	64	59	49	42	37	35	65	60	53	45	40	38				
5	125	45	37	29	22	19	18	47	39	33	25	22	20	49	40	35	27	24	22	51	42	38	30	26	24				
	250	55	48	38	31	27	24	58	50	42	34	30	26	59	51	44	36	32	28	61	53	48	39	34	30				
	300	58	51	41	33	29	26	60	53	44	37	32	28	61	54	46	38	34	29	64	56	50	42	37	31				
	375	61	54	44	36	32	28	63	56	47	40	35	30	65	57	49	41	36	31	67	59	53	45	39	33				
6	150	47	39	29	26	23	21	49	42	33	30	28	26	51	44	36	32	31	29	53	47	41	37	35	35				
	225	51	45	34	30	26	23	54	47	39	34	31	28	55	49	41	37	34	31	58	52	46	41	38	36				
	300	55	48	38	33	29	24	57	51	42	37	33	29	59	53	45	40	36	32	61	56	50	44	40	37				
	400	58	52	42	36	31	25	61	55	46	40	35	30	62	57	49	43	38	33	65	60	54	47	42	38				
550	62	56	46	40	33	26	64	59	50	44	37	31	66	61	53	46	40	34	68	64	58	51	45	40					
7	250	48	38	32	24	20	18	51	42	36	27	24	21	52	44	38	29	25	24	55	48	43	33	29	27				
	350	52	42	35	27	23	20	54	46	40	31	26	24	56	48	42	33	28	26	58	52	46	36	31	30				
	550	57	47	41	32	27	23	59	51	45	36	30	27	61	54	47	38	32	29	63	58	52	41	35	33				
	625	58	49	42	34	28	24	60	53	46	37	31	28	62	55	49	39	33	30	64	59	53	42	36	34				
800	61	52	45	36	30	26	63	56	49	40	33	29	65	59	52	42	35	32	67	63	56	45	38	35					
8	400	49	42	32	28	24	20	52	46	37	31	27	23	54	48	40	33	29	25	56	53	44	36	32	29				
	500	52	44	35	31	26	21	55	49	39	34	29	24	57	51	42	36	30	26	59	56	46	39	34	30				
	700	57	49	39	34	28	23	59	53	43	38	31	26	61	55	46	39	33	28	64	60	50	43	36	32				
	900	60	52	41	37	30	24	63	56	46	40	33	28	64	59	49	42	35	30	67	63	53	45	38	33				
1050	62	54	43	39	32	25	65	58	48	42	35	28	66	60	50	44	36	30	69	65	55	47	40	34					
9	450	48	41	35	28	25	23	52	46	39	31	28	28	54	49	42	33	30	30	58	54	46	36	34	35				
	700	52	44	39	33	29	24	56	49	44	36	32	29	58	52	46	38	34	32	62	57	51	41	38	36				
	900	55	46	42	35	31	25	58	51	46	39	34	30	60	54	49	41	36	32	64	59	54	44	40	37				
	1100	56	48	44	38	33	26	60	53	48	41	36	30	62	56	51	43	38	33	66	61	56	46	41	37				
1400	58	50	46	40	35	26	62	55	51	44	38	31	64	58	54	46	40	33	68	63	58	49	43	38					
10	550	49	41	34	26	21	22	52	46	38	30	24	25	54	49	41	32	25	27	57	54	45	35	28	31				
	950	54	46	39	32	26	24	58	51	43	36	29	28	59	54	46	38	31	30	63	59	50	41	33	34				
	1100	56	48	41	33	28	25	59	52	45	37	30	29	61	55	47	39	32	31	64	60	51	43	35	35				
	1500	59	51	43	37	30	27	62	55	48	40	33	30	64	58	50	43	35	33	67	63	54	46	38	36				
1800	61	52	45	39	32	28	64	57	49	42	35	31	66	60	52	45	37	33	69	64	56	48	39	37					
12	900	50	41	39	32	24	24	54	47	44	37	29	28	56	51	47	39	31	30	60	57	52	44	35	33				
	1200	53	44	42	35	27	27	57	50	47	39	32	31	59	53	49	42	34	33	62	59	55	46	38	36				
	1600	56	46	44	37	31	30	59	52	49	42	35	33	61	55	52	44	37	35	65	61	57	49	42	39				
	1800	57	47	46	38	32	31	60	53	51	43	36	35	63	56	54	46	39	37	66	62	59	50	43	40				
2500	60	49	49	41	36	34	64	55	54	46	40	38	66	59	57	48	42	40	69	65	62	53	47	43					
14	1000	48	41	34	28	23	23	52	47	39	32	27	27	55	51	42	34	29	29	60	57	46	38	33	32				
	1500	52	45	39	32	28	27	56	51	44	36	31	30	59	54	46	38	34	32	63	60	51	42	37	36				
	2100	55	48	43	35	31	30	59	54	48	39	35	34	62	57	50	41	37	35	66	63	55	45	41	39				
	2500	56	50	45	37	33	32	61	56	50	41	37	35	63	59	52	43	39	37	68	65	57	47	43	40				
3500	60	53	49	40	37	35	64	59	54	44	41	38	67	62	56	47	43	40	71	68	61	50	47	43					
16	1500	47	44	38	32	28	25	52	50	43	37	32	28	55	53	46	40	35	30	60	59	52	45	39	34				
	2000	51	47	41	35	32	28	56	53	47	40	36	31	59	56	50	43	39	33	64	62	55	48	43	37				
	2500	53	49	44	38	36	31	58	55	49	43	40	34	61	58	52	46	42	36	66	64	57	51	46	40				
	2800	55	50	45	40	37	32	59	56	50	45	41	35	62	59	53	48	44	37	67	65	59	53	48	41				
3500	57	52	47	43	40	35	62	58	53	48	45	38	65	62	56	51	47	40	70	68	61	56	51	44					
4500	60	55	50	46	44	38	65	61	56	51	48	41	68	64	59	54	51	43	73	70	64	59	55	47					
24x16	3000	61	55	50	42	36	28	64	59	54	45	38	30	65	61	56	46	39	31	68	64	59	49	41	33				
	4000	65	59	53	45	40	32	68	62	57	48	42	34	69	65	59	50	43	36	72	68	63	53	45	38				
	5300	69	62	57	48	44	37	71	66	60	51	46	39	73	68	62	53	47	40	75	72	66	56	49	42				
	6000	70	64	58	50	46	39	73	67	62	53	48	41	74	70	64	55	49	42	77	73	68	58	51	44				
	7000	72	66	60	52	48	41	75	69	64	55	50	43	76	71	66	57	51	45	79	75	69	60	53	47				
	8300	75	68	62	54	51	44	77	72	66	57	53	46	79	74	68	59	54	47	81	77	71	62	56	50				

Performance Notes:

1. Test data obtained in accordance with AHRI Standard 880-2017 and ASHRAE Standard 130-2016.
2. Sound power levels include duct end corrections per AHRI Standard 880-2017.
3. AHRI certified data is highlighted in blue. All other data are application ratings.
4. Application ratings are outside the scope of the AHRI 880-2017 Certification Program.

PERFORMANCE DATA



SDV – 1 and 2 Row Hot Water Coil Data

Size 4,5,6 Standard Capacity

Rows	Coil gpm	HD Loss	Airflow Rate (cfm)								
			125	150	175	200	225	250	300	350	400
1 Row Multi Circuit	0.5	0.14	5.5	6.0	6.4	6.7	7.0	7.3	7.8	8.2	8.6
	1	0.46	6.3	6.9	7.5	7.9	8.4	8.8	9.5	10.1	10.6
	2	1.61	6.7	7.4	8.1	8.7	9.2	9.7	10.6	11.3	12.0
	3	3.60	6.9	7.7	8.4	9.0	9.6	10.1	11.0	11.8	12.6
	Through the Coil, ΔPs		0.02	0.03	0.03	0.04	0.05	0.06	0.08	0.10	0.13
2 Row Multi Circuit	1	0.14	10.5	11.7	12.8	13.7	14.6	15.4	16.7	17.9	18.9
	2	0.47	11.2	12.6	13.9	15.1	16.2	17.2	19.0	20.6	21.9
	4	1.64	11.6	13.1	14.5	15.8	17.0	18.2	20.2	21.9	23.5
	6	3.43	11.7	13.3	14.8	16.1	17.4	18.6	20.7	22.6	24.3
	Through the Coil, ΔPs		0.04	0.06	0.07	0.09	0.11	0.13	0.18	0.23	0.29

Size 4,5,6 High Capacity

Rows	Coil gpm	HD Loss	Airflow Rate (cfm)								
			125	150	175	200	225	250	300	350	400
1 Row Multi Circuit	0.5	0.15	6.2	6.7	7.1	7.5	7.8	8.1	8.6	9.0	9.4
	1	0.50	7.2	7.9	8.5	9.0	9.5	9.9	10.7	11.4	11.9
	2	1.73	7.7	8.6	9.3	10.0	10.6	11.1	12.1	12.9	13.7
	3	3.60	8.0	8.9	9.7	10.4	11.0	11.6	12.7	13.7	14.5
	Through the Coil, ΔPs		0.02	0.03	0.04	0.05	0.06	0.08	0.10	0.13	0.17
2 Row Multi Circuit	1	0.14	11.5	12.9	14.1	15.1	16.1	16.9	18.5	19.7	20.8
	2	0.47	12.4	14.0	15.5	16.8	18.1	19.2	21.2	23.0	24.5
	4	1.64	12.8	14.6	16.2	17.7	19.0	20.3	22.6	24.7	26.5
	6	3.43	13.0	14.8	16.5	18.0	19.5	20.8	23.3	25.4	27.4
	Through the Coil, ΔPs		0.06	0.08	0.10	0.12	0.15	0.17	0.24	0.30	0.38

Size 7,8 Standard Capacity

Rows	Coil gpm	HD Loss	Airflow Rate (cfm)								
			200	250	300	350	400	500	600	700	800
1 Row Multi Circuit	0.5	0.20	7.2	7.9	8.4	8.8	9.2	9.8	10.3	10.7	11.0
	1	0.68	8.7	9.6	10.4	11.1	11.7	12.7	13.5	14.2	14.8
	2	2.34	9.6	10.8	11.8	12.7	13.5	14.8	15.9	16.9	17.7
	3	4.87	10.0	11.3	12.4	13.4	14.2	15.7	17.0	18.1	19.1
	Through the Coil, ΔPs		0.03	0.04	0.05	0.06	0.08	0.11	0.15	0.20	0.25
2 Row Multi Circuit	1	0.16	14.7	16.5	18.0	19.3	20.5	22.3	23.8	25.0	26.0
	2	0.56	16.3	18.7	20.7	22.5	24.1	26.8	29.1	31.0	32.7
	4	1.97	17.2	19.8	22.2	24.3	26.2	29.5	32.2	34.7	36.8
	6	4.11	17.5	20.3	22.8	25.1	27.1	30.6	33.6	36.3	38.6
	Through the Coil, ΔPs		0.06	0.08	0.11	0.15	0.18	0.26	0.35	0.45	0.57

Size 7,8 High Capacity

Rows	Coil gpm	HD Loss	Airflow Rate (cfm)								
			200	250	300	350	400	500	600	700	800
1 Row Multi Circuit	0.5	0.20	8.0	8.7	9.2	9.7	10.1	10.7	11.1	11.5	11.8
	1	0.68	9.8	10.9	11.7	12.5	13.1	14.2	15.0	15.7	16.3
	2	2.34	11.0	12.3	13.5	14.5	15.3	16.8	18.0	19.1	20.0
	3	4.87	11.5	13.0	14.2	15.4	16.4	18.0	19.4	20.7	21.7
	Through the Coil, ΔPs		0.03	0.05	0.06	0.08	0.10	0.15	0.20	0.26	0.32
2 Row Multi Circuit	1	0.16	16.1	18.1	19.8	21.2	22.4	24.3	25.8	27.1	28.2
	2	0.56	18.1	20.7	23.0	25.0	26.8	29.8	32.2	34.3	36.1
	4	1.97	19.1	22.1	24.8	27.2	29.3	33.0	36.1	38.8	41.2
	6	4.11	19.5	22.7	25.5	28.1	30.4	34.4	37.9	40.9	43.5
	Through the Coil, ΔPs		0.08	0.11	0.15	0.19	0.23	0.34	0.46	0.59	0.73

Performance notes at end of section.

PERFORMANCE DATA



SDV – 1 and 2 Row Hot Water Coil Data

Size 9,10 Standard Capacity

Rows	Coil gpm	HD Loss	Airflow Rate (cfm)								
			300	400	500	600	700	800	900	1000	1100
1 Row Multi Circuit	1	0.12	11.9	13.4	14.6	15.6	16.4	17.0	17.7	18.2	18.7
	2	0.42	13.8	15.9	17.6	19.0	20.2	21.2	21.2	23.0	23.8
	4	1.46	14.9	17.3	19.4	21.1	22.6	24.0	25.2	26.2	27.2
	6	3.06	15.3	17.9	20.2	22.0	23.7	25.2	26.5	27.7	28.8
	Through the Coil, ΔPs		0.03	0.04	0.06	0.09	0.11	0.14	0.17	0.20	0.23
2 Row Multi Circuit	1	0.22	19.8	22.5	24.6	26.3	27.6	28.8	29.7	30.6	31.3
	2	0.77	23.1	27.2	30.4	33.1	35.4	37.3	39.1	40.6	42.0
	4	2.67	25.0	29.9	34.0	37.5	40.5	43.1	45.5	47.7	49.7
	6	5.57	28.8	31.0	35.5	39.3	42.7	45.7	48.4	50.9	53.1
	Through the Coil, ΔPs		0.06	0.10	0.14	0.19	0.25	0.31	0.37	0.45	0.52

Size 9,10 High Capacity

Rows	Coil gpm	HD Loss	Airflow Rate (cfm)								
			300	400	500	600	700	800	900	1000	1100
1 Row Multi Circuit	0.5	0.29	10.1	10.9	11.6	12.1	12.5	12.9	13.1	13.4	13.6
	1	0.99	13.2	14.8	16.0	17.0	17.8	18.5	19.1	19.6	20.0
	2	3.43	15.5	17.8	19.6	21.1	22.3	23.4	24.4	25.2	26.0
	3	7.12	16.5	19.1	21.3	23.1	24.6	25.9	27.1	28.1	29.1
	Through the Coil, ΔPs		0.04	0.06	0.08	0.11	0.14	0.18	0.21	0.25	0.30
2 Row Multi Circuit	1	0.22	21.5	24.4	26.6	28.3	29.7	30.9	31.8	32.7	33.4
	2	0.77	25.5	29.9	33.5	36.4	38.9	41.0	42.8	44.4	45.9
	4	2.67	27.7	33.2	37.8	41.7	45.1	48.1	50.7	53.1	55.2
	6	5.57	28.6	34.6	39.6	44.0	47.8	51.2	54.2	57.0	59.5
	Through the Coil, ΔPs		0.08	0.13	0.19	0.25	0.32	0.40	0.49	0.58	0.68

Size 12 Standard Capacity

Rows	Coil gpm	HD Loss	Airflow Rate (cfm)								
			400	500	600	700	800	1000	1200	1400	1600
1 Row Multi Circuit	1	0.15	14.7	16.0	17.1	18.0	18.7	19.9	20.9	21.7	22.3
	2	0.50	17.7	19.7	21.3	22.8	24.0	26.0	27.7	29.1	30.3
	4	1.77	19.7	22.1	24.2	26.1	27.7	30.4	32.7	34.7	36.5
	6	3.69	20.5	23.1	25.5	27.5	29.3	32.4	35.1	37.4	39.4
	Through the Coil, ΔPs		0.03	0.04	0.05	0.07	0.08	0.12	0.16	0.21	0.26
2 Row Multi Circuit	1	0.27	24.1	26.4	28.2	29.7	30.9	32.8	34.2	35.4	36.3
	2	0.94	29.6	33.3	36.3	38.9	41.2	44.9	47.8	50.2	52.3
	4	3.28	32.9	37.7	41.8	45.4	48.6	54.0	48.5	62.3	65.6
	6	6.83	34.3	39.5	44.1	48.2	51.8	58.0	53.3	67.9	71.9
	Through the Coil, ΔPs		0.06	0.09	0.12	0.15	0.19	0.27	0.36	0.47	0.58

Size 12 High Capacity

Rows	Coil gpm	HD Loss	Airflow Rate (cfm)								
			400	500	600	700	800	1000	1200	1400	1600
1 Row Multi Circuit	0.5	0.37	11.6	12.3	12.8	13.3	13.6	14.1	15.5	14.9	15.1
	1	1.26	16.1	17.4	18.5	19.4	20.2	21.4	22.3	23.1	23.7
	2	4.37	19.8	21.9	23.6	25.1	26.4	28.5	30.2	31.6	32.8
	3	9.08	21.5	24.0	26.1	28.0	29.6	32.2	34.4	36.2	37.8
	Through the Coil, ΔPs		0.03	0.05	0.07	0.09	0.11	0.15	0.21	0.27	0.33
2 Row Multi Circuit	1	0.27	26.0	28.4	30.2	31.7	32.9	34.8	36.2	37.3	38.2
	2	0.94	32.4	36.4	39.7	42.5	44.9	48.8	51.8	54.3	56.4
	4	3.28	36.3	41.6	46.2	50.2	53.8	59.7	64.6	68.7	72.2
	6	6.83	37.9	43.8	49.0	53.6	57.7	64.7	70.5	75.6	79.9
	Through the Coil, ΔPs		0.08	0.11	0.15	0.19	0.24	0.35	0.47	0.61	0.75

Performance notes at end of section.

PERFORMANCE DATA



SDV – 1 and 2 Row Hot Water Coil Data

Size 14 Standard Capacity

Rows	Coil gpm	HD Loss	Airflow Rate (cfm)								
			600	800	1000	1200	1400	1600	1800	2000	2200
1 Row Multi Circuit	1	0.18	18.9	20.7	22.0	23.0	23.9	24.6	25.2	25.7	26.1
	2	0.62	24.3	27.4	29.8	31.7	33.4	34.7	35.9	37.0	37.9
	4	2.16	28.2	32.5	36.0	38.8	41.3	43.4	45.3	47.0	48.5
	6	4.52	30.0	34.8	38.8	42.2	45.1	47.6	49.9	52.0	53.9
	Through the Coil, ΔPs		0.03	0.05	0.07	0.09	0.12	0.14	0.17	0.21	0.24
2 Row Multi Circuit	1.5	0.25	36.5	40.9	44.2	46.6	48.6	50.3	51.7	52.9	53.9
	3	0.87	44.8	52.0	57.8	62.4	66.2	69.5	72.4	74.9	77.2
	6	3.04	49.9	59.3	67.2	73.7	79.3	84.3	88.7	92.7	96.3
	9	6.33	51.9	62.3	71.2	78.6	85.2	91.0	96.2	101.0	105.3
	Through the Coil, ΔPs		0.07	0.10	0.15	0.20	0.26	0.32	0.39	0.47	0.55

Size 14 High Capacity

Rows	Coil gpm	HD Loss	Airflow Rate (cfm)								
			600	800	1000	1200	1400	1600	1800	2000	2200
1 Row Multi Circuit	0.5	0.46	13.7	14.4	15.0	15.4	15.7	15.9	16.1	16.3	16.5
	1	1.59	20.3	22.1	23.4	24.4	25.2	25.9	26.4	26.9	27.3
	2	5.50	26.8	30.0	32.4	34.4	36.0	37.4	38.6	39.6	40.5
	3	11.43	30.1	34.2	37.4	40.1	42.2	44.1	45.8	47.2	48.5
	Through the Coil, ΔPs		0.04	0.06	0.09	0.12	0.15	0.18	0.22	0.27	0.31
2 Row Multi Circuit	1	0.34	32.3	35.1	37.1	38.5	39.6	40.5	41.3	41.9	42.4
	2	1.17	43.5	49.4	53.8	57.2	59.9	62.2	64.1	65.8	67.2
	4	4.07	51.6	60.5	67.7	73.6	78.5	82.8	86.4	89.6	92.5
	6	8.48	54.9	65.4	74.1	81.4	87.6	93.0	97.8	102.0	105.9
	Through the Coil, ΔPs		0.08	0.13	0.19	0.26	0.34	0.42	0.51	0.60	0.71

Size 16 Standard Capacity

Rows	Coil gpm	HD Loss	Airflow Rate (cfm)										
			800	1000	1200	1400	1600	1800	2000	2200	2400	2600	2800
1 Row Multi Circuit	1	0.19	21.6	23.0	24.1	24.9	25.6	26.2	26.7	27.2	27.6	27.9	28.3
	2	0.66	29.1	31.7	33.8	35.5	37.0	38.2	39.3	40.3	41.2	42.0	42.7
	4	2.31	35.1	38.9	42.1	44.7	47.1	49.2	51.0	52.7	54.2	55.6	56.9
	6	4.83	37.8	42.2	46.0	49.2	52.1	54.6	56.9	59.0	60.9	62.7	64.4
	Through the Coil, ΔPs		0.03	0.05	0.06	0.08	0.10	0.12	0.15	0.17	0.20	0.23	0.26
2 Row Multi Circuit	1.5	0.27	42.5	45.9	48.5	50.5	52.2	53.6	54.8	55.9	56.8	57.6	58.3
	3	0.93	54.7	60.9	65.9	70.0	73.5	76.6	79.2	81.6	83.7	85.6	87.3
	6	3.23	63.0	71.5	78.8	85.0	90.5	95.3	99.7	103.6	107.2	110.5	113.5
	9	6.74	66.3	76.0	84.5	91.7	98.2	104.0	109.3	114.1	118.6	122.7	126.5
	Through the Coil, ΔPs		0.07	0.11	0.14	0.18	0.23	0.28	0.33	0.38	0.44	0.51	0.57

Size 16 High Capacity

Rows	Coil gpm	HD Loss	Airflow Rate (cfm)										
			800	1000	1200	1400	1600	1800	2000	2200	2400	2600	2800
1 Row Multi Circuit	1	0.19	23.2	24.6	25.6	26.4	27.1	27.7	28.2	28.6	29.0	29.3	29.6
	2	0.66	32.1	34.8	36.9	38.7	40.2	41.5	42.6	43.5	44.4	45.2	45.9
	4	2.31	39.5	43.6	47.0	50.0	52.5	54.6	56.6	58.3	59.9	61.3	62.6
	6	4.83	42.9	47.9	52.0	55.7	58.8	61.5	64.0	66.2	68.2	70.1	71.8
	Through the Coil, ΔPs		0.04	0.06	0.08	0.11	0.13	0.16	0.19	0.22	0.26	0.29	0.33
2 Row Multi Circuit	1.5	0.27	45.4	48.8	51.4	53.4	55.0	56.4	57.6	58.5	59.4	60.2	60.8
	3	0.93	59.5	66.1	71.3	75.8	79.4	82.5	85.2	87.6	89.7	91.6	93.3
	6	3.23	69.2	78.6	86.6	93.6	99.5	104.7	109.4	113.6	117.4	120.9	124.1
	9	6.74	73.1	84.0	93.4	101.7	108.8	115.3	121.1	126.3	131.1	135.6	139.7
	Through the Coil, ΔPs		0.10	0.14	0.18	0.24	0.30	0.36	0.43	0.50	0.57	0.65	0.74

Performance notes at end of section.

PERFORMANCE DATA



SDV – 1 and 2 Row Hot Water Coil Data

Size 24x16 Standard Capacity

Rows	Coil gpm	HD Loss	Airflow Rate (cfm)										
			1200	1500	2000	2500	3000	3500	4000	4500	5000	5500	6000
1 Row Multi Circuit	1	0.24	26.7	27.9	29.4	30.4	31.2	31.7	32.2	32.6	33.0	33.2	33.5
	2	0.81	39.3	42.2	45.6	48.1	50.0	51.6	52.8	53.9	54.8	55.6	56.4
	4	2.82	51.3	56.2	62.6	67.4	71.2	74.4	77.1	79.4	81.4	83.2	84.8
	6	5.89	57.3	63.6	71.8	78.2	83.4	87.8	91.5	94.8	97.7	100.3	102.6
	Through the Coil, ΔPs		0.03	0.05	0.08	0.11	0.15	0.19	0.24	0.29	0.35	0.41	0.47
2 Row Multi Circuit	1.5	0.33	53.2	56.3	59.8	62.1	63.8	65.1	66.1	67.0	67.7	68.3	68.8
	3	1.13	75.4	82.3	90.9	96.9	101.5	105.2	108.1	110.6	112.7	114.6	116.2
	6	3.92	93.1	104.6	119.8	131.3	140.5	148.1	154.6	160.1	164.9	169.1	172.9
	9	8.16	100.8	114.8	133.8	148.7	161.0	171.4	180.3	188.0	194.9	201.0	206.5
	Through the Coil, ΔPs		0.07	0.11	0.17	0.25	0.33	0.43	0.53	0.65	0.77	0.90	1.04

Size 24x16 High Capacity

Rows	Coil gpm	HD Loss	Airflow Rate (cfm)										
			1200	1500	2000	2500	3000	3500	4000	4500	5000	5500	6000
1 Row Multi Circuit	1	0.24	28.0	29.2	30.6	31.6	32.3	32.8	33.2	33.6	33.9	34.1	34.4
	2	0.81	42.4	45.2	48.6	51.1	52.9	54.4	55.6	56.6	57.4	58.2	58.8
	4	2.82	56.7	61.8	68.4	73.4	77.3	80.4	83.1	85.3	87.3	89.0	90.6
	6	5.89	64.1	70.8	79.6	86.4	91.8	96.3	100.1	103.4	106.3	108.9	111.2
	Through the Coil, ΔPs		0.04	0.06	0.10	0.14	0.19	0.25	0.31	0.38	0.45	0.53	0.61
2 Row Multi Circuit	1.5	0.33	55.7	58.7	62.0	64.2	65.8	67.0	67.9	68.7	69.3	69.8	70.3
	3	1.13	80.6	87.7	96.4	102.4	107.0	110.5	113.3	115.7	117.7	119.4	120.9
	6	3.92	100.9	113.4	129.6	141.8	151.4	159.2	165.7	171.3	176.1	180.3	184.0
	9	8.16	109.9	125.3	146.0	162.3	175.4	186.4	195.7	203.8	210.9	217.1	222.7
	Through the Coil, ΔPs		0.10	0.14	0.22	0.32	0.43	0.55	0.69	0.84	1.00	1.17	1.35

Performance Notes:

1. Tabulated values are in MBH (thousands of Btu per hour).
2. Minimum air and water flow values are based on ASHRAE recommendations for coil selections. For selections below these tabulated air or water values, please consult your local Price representative.
3. Do not select coils for a leaving air temperature above 120 °F.
4. HD (Head) loss is in feet of water.
5. Ps, is the pressure drop in in. of water across the coil.
6. Air temperature rise = ATR, ATR (°F) = 927 x MBH/cfm.
7. Water temperature drop = WTD, WTD (°F) = 2.04 x MBH/gpm.
8. Values in tables are listed for 0 ft of altitude and no glycol in the system.
9. For information outside the ranges used in the table, consult the current Price software or your Price representative for accurate coil information.
10. Heating coils used in this unit have performance rated and certified in accordance with the current edition of AHRI Standard 410-2001.
11. Connections: Standard Terminal Sizes 4, 5, 6, 7, 8 and high capacity size 9-14 – 1/2 in. OD male solder. All others – 7/8 in. OD male solder.

PERFORMANCE DATA

SDV Electric Coil Max kW - Staged Control

Size	Staged Heating						
	1 Phase					3 Phase	
	120	208	240	277	480	208	480
4	5.7	5.7	5.7	5.7	5.7	5.7	5.7
5	5.7	6.9	6.7	6.5	6.7	6.9	6.7
6	5.7	6.9	6.7	6.5	6.7	6.9	6.7
7	5.7	9.8	9.5	9.2	9.5	9.8	9.5
8	5.7	9.8	9.5	9.2	9.5	9.8	9.5
9	5.7	9.9	11.5	13.2	16	16.5	16
10	5.7	9.9	11.5	13.2	16	16.5	16
12	5.7	9.9	11.5	13.2	22.7	17.2	26.9
14	5.7	9.9	11.5	13.2	23	17.2	32
16	5.7	9.9	11.5	13.2	23	17.2	39.9
24x16	5.7	9.9	11.5	13.2	23	17.2	39.9

SDV Electric Coil Max kW - SCR Control

Size	SCR Heating						
	1 Phase					3 Phase	
	120	208	240	277	480	208	480
4	5.4	5.7	5.7	5.7	5.7	5.7	5.7
5	5.4	6.9	6.7	6.5	6.7	6.9	6.7
6	5.4	6.9	6.7	6.5	6.7	6.9	6.7
7	5.4	9.3	9.5	9.2	9.5	9.8	9.5
8	5.4	9.3	9.5	9.2	9.5	9.8	9.5
9	5.4	9.3	10.8	12.4	16	16.2	16
10	5.4	9.3	10.8	12.4	16	16.2	16
12	5.4	9.3	10.8	12.4	21.5	16.2	26.9
14	5.4	9.3	10.8	12.4	21.5	16.2	32
16	5.4	9.3	10.8	12.4	21.5	16.2	37.4
24x16	3.5	9.3	10.8	12.4	21.5	16.2	37.4

Notes:

- ETL certified assemblies.
- Minimum kW:
Staged Control Single Phase = 0.5 kW per stage.
Staged Control Three Phase = 1.5 kW.
SCR control, Single phase = 0.5 kW
SCR control, Three phase = 1.5 Kw
- The recommended limit of 48 Amps may be exceeded. This requires supplemental fusing to meet NEC code requirements. Contact your local Price representative for further details
- Maximum kW limitations is the lesser of
 - coil selection chart
 - minimum air flow requirements of 70 cfm/kW.
- In some cases, maximum capacity (kW) may be lower than the above values depending on the number of stages selected.
For most accurate maximum capacities please view our AIO software: <https://www.priceindustries.com/software/all-in-one/>

PERFORMANCE DATA

SDV with Low Profile Construction (SDVLP) – Recommended Air Volume Ranges

Digital Controls

Unit Size	cfm Min.*	cfm Max.
4	45	225
5	60	350
6	65	450
7	95	650
8	125	800
9	160	1050
10	210	1350
12	300	2100
14	431	3000
16	575	4000

Notes:

1. Factory calibrated controls must be selected within the above flow range limits. A minimum value of 0 is also available. When an auxiliary flow setting is specified, the value must be greater than the minimum setting and within the range limits.
2. On controls mounted by Price but supplied by others, the air volume ranges are guidelines only.
3. Minimum airflow limit for digital controls is based on min 0.02 in.w.g. differential pressure signal from airflow sensor. Maximum airflow limit is based on max 1.5 in.w.g. differential pressure signal from airflow sensor.
4. Selection of airflow limits outside the listed values is not recommended. Stability and accuracy may not be acceptable at lower than recommended airflow limits. The actual performance will vary depending on the terminal unit controls supplied.

PERFORMANCE DATA

SDV with Low Profile Construction (SDVLP)

Unit Size	Airflow	Basic Unit	Discharge NC Basic Unit ΔPs Across Unit			Discharge NC c/w 36 in. Attenuator ΔPs Across Unit			Radiated NC Basic Unit ΔPs Across Unit		
	cfm	in.w.g.	0.5 in.w.g.	1.5 in.w.g.	3.0 in.w.g.	0.5 in.w.g.	1.5 in.w.g.	3.0 in.w.g.	0.5 in.w.g.	1.5 in.w.g.	3.0 in.w.g.
4	75	0.01	--	--	--	--	--	--	--	--	--
	125	0.01	--	23	24	21	23	--	--	--	--
	150	0.01	23	26	28	24	26	--	--	--	--
	225	0.01	31	34	36	31	33	--	26	22	26
5	125	0.01	--	--	20	--	--	--	--	--	--
	200	0.01	--	25	28	21	24	--	24	21	24
	250	0.01	23	28	32	25	28	21	28	25	28
	350	0.01	25	30	34	26	29	27	34	31	34
6	150	0.02	--	--	22	--	--	--	--	--	--
	225	0.05	--	22	27	--	24	--	21	--	21
	300	0.08	--	23	29	--	24	--	24	20	24
	400	0.14	--	27	33	23	27	--	28	24	28
7	450	0.18	--	29	35	25	29	--	29	25	29
	250	0.02	--	20	27	--	--	--	--	--	--
	350	0.03	--	23	30	--	21	--	23	--	23
	450	0.05	--	26	33	21	25	--	26	22	26
8	550	0.07	--	29	35	24	28	--	28	24	28
	650	0.10	21	31	38	26	30	22	29	27	29
	400	0.01	--	21	29	--	21	--	25	21	25
	500	0.01	--	24	31	--	24	--	28	24	28
9	600	0.01	--	26	33	22	26	--	30	26	30
	700	0.01	--	28	35	24	28	21	32	28	32
	800	0.01	--	28	35	23	28	22	33	29	33
	450	0.07	--	22	30	22	28	--	32	26	32
10	650	0.13	--	26	33	24	29	--	35	29	35
	900	0.22	--	27	35	24	29	22	37	31	37
	1100	0.30	--	29	37	25	30	24	39	33	39
	550	0.06	--	27	35	22	29	--	32	26	32
12	750	0.11	--	28	36	24	30	--	34	28	34
	1000	0.17	--	30	38	26	32	21	37	31	37
	1300	0.26	--	32	40	28	35	24	39	33	39
	1350	0.28	20	33	40	28	35	25	40	34	40
14	900	0.07	--	21	28	22	29	--	33	27	33
	1200	0.12	--	24	31	24	31	--	36	29	36
	1600	0.19	--	27	34	26	33	22	38	32	38
	1800	0.23	--	28	35	27	34	23	40	33	40
16	2100	0.29	--	30	37	29	35	24	41	35	41
	1000	0.05	--	--	26	--	22	--	34	28	34
	1500	0.10	--	24	31	20	27	22	38	32	38
	2100	0.17	--	28	35	24	31	25	41	35	41
16	2300	0.20	--	29	36	25	32	26	41	35	41
	3000	0.31	21	32	39	28	35	29	44	38	44
	1500	0.04	--	24	30	21	28	22	36	30	36
	2000	0.07	--	27	33	24	31	25	39	34	39
	2500	0.1	--	29	36	27	33	28	42	36	42
	2800	0.12	21	31	37	28	34	31	43	37	43
16	3200	0.15	22	32	38	30	36	33	44	40	44
	4000	0.21	25	35	41	32	38	37	48	44	48

Performance Notes:

- Test data obtained in accordance with AHRI Standard 880-2017 and ASHRAE Standard 130-2016.
- Sound power levels include duct end corrections per AHRI Standard 880-2017.
- All data are application ratings. Application ratings are outside the scope of the AHRI 880-2017 Certification Program.
- Application ratings are outside the scope of the AHRI 880-2017 Certification Program.
- ΔPs is the difference in static pressure from inlet to discharge of the unit.
- ΔPs for terminal units with electric coil is equal to basic unit. Resistance of the coil elements is negligible.
- NC values are calculated based on typical attenuation values outlined in Appendix E, AHRI Standard 885-2008, "A Procedure for Estimating Occupied Space Sound Levels in the Application of Air Terminals and Air Outlets."
- Asterisks (*) indicate minimum static pressure of the unit exceeds the minimum operating pressure across the unit.
- Dashes (-) indicate sound power levels below 20.

**Typical Attenuation Values:
Radiated Sound**

Total Deduction	Octave Band Mid Frequency, Hz					
	120	250	500	1000	2000	4000
All Sizes	18	19	20	26	31	36

Discharge Sound

Total Deduction	Octave Band Mid Frequency, Hz					
	120	250	500	1000	2000	4000
< 300 cfm	24	28	39	53	59	40
300 – 700 cfm	27	29	40	51	53	39
> 700 cfm	29	30	41	51	52	39

PERFORMANCE DATA

SDV with Low Profile Construction (SDVLP) – Discharge Sound Power Levels, Basic Assembly

Unit Size	Airflow cfm	Sound Power Levels Lw dB re 10 ⁻¹² Watts																							
		0.5 in.w.g. Octave Band						1.0 in.w.g. Octave Band						1.5 in.w.g. Octave Band						3.0 in.w.g. Octave Band					
		2	3	4	5	6	7	2	3	4	5	6	7	2	3	4	5	6	7	2	3	4	5	6	7
4	75	56	49	41	37	36	29	58	52	46	41	42	36	59	53	48	44	46	40	60	55	53	49	52	48
	125	64	57	47	43	40	32	65	59	52	47	46	40	66	61	54	50	50	44	68	63	59	55	56	52
	150	67	60	49	45	42	34	68	62	54	49	48	41	69	63	56	52	51	46	70	66	61	57	57	53
	225	73	66	54	49	45	37	74	68	58	54	51	44	75	70	61	57	55	49	76	72	65	61	61	56
5	125	57	46	43	38	36	32	60	50	48	43	42	39	62	53	51	46	46	43	64	57	56	51	52	51
	200	64	53	48	43	39	35	66	57	53	48	46	42	68	59	56	51	49	47	70	63	61	56	55	54
	250	66	56	50	45	41	37	69	60	55	50	47	44	71	62	58	53	51	48	73	66	63	58	57	55
	350	71	60	54	49	43	39	74	64	59	54	49	46	75	66	62	57	53	50	78	70	66	61	59	58
6	150	55	47	37	36	34	28	59	52	42	41	41	36	62	55	46	44	44	41	65	60	51	50	51	48
	225	60	52	42	40	37	31	63	57	48	45	44	39	66	60	51	49	47	43	70	65	57	54	54	51
	300	63	56	46	43	39	33	66	61	52	48	46	41	69	64	55	52	49	45	73	69	61	57	56	53
	400	65	60	50	46	41	35	69	65	56	51	48	42	72	68	59	55	51	47	76	73	65	60	58	55
450	67	61	52	47	42	36	71	66	57	53	49	43	73	69	61	56	52	48	77	75	66	61	59	55	
7	250	58	52	42	40	38	34	62	58	49	46	44	41	64	61	53	49	48	45	68	66	60	55	55	52
	350	61	56	46	43	40	36	65	61	53	48	46	43	67	65	57	52	50	47	71	70	64	58	57	54
	450	64	58	49	45	41	37	67	64	56	50	48	45	70	67	60	54	51	49	73	73	66	60	58	56
	550	66	61	51	46	42	39	69	66	58	52	49	46	71	69	62	56	53	50	75	75	69	61	59	57
650	67	62	53	48	43	40	71	68	60	54	50	47	73	71	64	57	54	51	77	77	70	63	60	58	
8	400	60	54	44	42	39	34	64	60	51	48	45	41	67	63	55	51	49	45	71	69	62	57	56	53
	500	62	56	46	44	40	35	66	62	53	50	47	42	69	65	57	53	50	47	73	71	64	59	57	54
	600	64	57	48	46	41	36	68	64	55	51	47	43	70	67	59	55	51	48	74	73	66	61	58	55
	700	65	59	50	47	42	37	69	65	57	53	48	44	72	69	61	56	52	49	76	75	68	62	59	56
800	67	60	51	48	42	38	71	66	58	54	49	45	73	70	63	57	53	49	77	76	70	63	59	57	
9	450	57	54	52	49	45	40	63	60	58	56	53	49	66	64	61	60	58	54	72	70	67	68	67	63
	650	61	56	55	51	46	41	67	63	61	58	55	50	70	67	64	63	59	55	76	73	69	70	68	64
	900	64	59	58	53	47	42	70	65	63	60	56	51	73	69	66	65	61	56	79	75	72	72	69	65
	1100	66	60	59	54	48	43	72	67	65	62	56	52	75	70	68	66	61	57	81	77	74	73	70	66
10	550	59	58	54	50	46	42	64	64	59	57	54	50	67	68	62	61	59	55	73	75	68	69	67	63
	750	61	60	56	52	47	43	67	66	61	59	55	52	70	70	65	63	60	56	75	77	70	71	68	64
	1000	64	61	58	53	48	45	69	68	64	61	56	53	72	72	67	65	61	58	78	78	72	72	69	66
	1300	66	63	60	55	50	47	71	69	65	62	58	55	75	73	69	67	62	59	80	80	74	74	70	67
1350	66	63	60	55	50	47	72	70	66	63	58	55	75	73	69	67	62	60	80	80	74	74	70	68	
12	900	62	55	54	51	47	42	66	61	59	58	55	50	69	64	63	62	60	54	73	70	68	69	68	62
	1200	64	57	56	53	48	43	68	63	62	60	56	51	71	67	65	64	61	56	75	72	71	71	69	64
	1600	66	60	59	55	49	44	71	66	64	62	57	52	73	69	68	66	62	57	78	75	73	73	70	65
	1800	67	61	60	56	50	45	72	67	65	63	58	53	74	70	68	67	62	58	79	76	74	74	70	66
2100	68	62	61	57	50	46	73	68	67	64	58	54	75	71	70	68	63	58	80	77	75	75	71	66	
14	1000	60	53	54	49	47	41	65	59	59	56	55	49	68	62	62	60	60	54	73	68	68	67	68	62
	1500	63	57	57	52	49	44	69	63	62	59	57	51	72	66	65	63	62	56	77	72	71	70	70	64
	2100	67	60	60	55	50	46	72	66	65	62	58	53	75	69	68	66	63	58	80	75	74	73	71	66
	2300	68	61	60	56	50	46	73	67	66	63	59	54	76	70	69	67	63	58	81	76	74	74	71	66
3000	70	64	62	58	52	47	75	69	68	65	60	55	78	73	71	69	64	60	83	79	77	76	72	68	
16	1500	62	58	55	54	50	44	67	63	61	60	58	52	70	66	65	64	62	56	74	71	71	71	70	64
	2000	65	60	57	56	51	46	70	66	64	62	59	54	73	69	67	66	63	58	77	74	74	73	71	66
	2500	67	62	59	57	52	47	72	68	66	64	60	55	75	71	69	68	64	59	80	76	76	75	72	67
	2800	69	63	60	58	53	48	73	69	67	65	60	55	76	72	70	69	65	60	81	77	77	75	73	67
3200	70	65	62	59	53	49	75	70	68	66	61	56	77	73	72	70	66	61	82	78	78	76	73	68	
4000	72	67	64	61	54	50	77	72	70	67	62	57	80	75	74	71	67	62	84	81	80	78	74	69	

Performance Notes:

1. Test data obtained in accordance with AHRI Standard 880-2017 and ASHRAE Standard 130-2016.
2. Sound power levels include duct end corrections per AHRI Standard 880-2017.
3. Application ratings are outside the scope of the AHRI 880-2017 Certification Program.

PERFORMANCE DATA

SDV with Low Profile Construction (SDVLP)

– Discharge Sound Power Levels with 3 ft Attenuator

Unit Size	Airflow	Sound Power Levels Lw dB re 10 ⁻¹² Watts																											
		0.5 in.w.g.							1.0 in.w.g.							1.5 in.w.g.							3.0 in.w.g.						
		Octave Band							Octave Band							Octave Band							Octave Band						
cfm	2	3	4	5	6	7	2	3	4	5	6	7	2	3	4	5	6	7	2	3	4	5	6	7					
4	75	56	46	37	28	--	--	57	48	41	32	23	--	58	49	44	35	26	17	60	51	48	40	32	25				
	125	63	54	42	34	21	--	64	56	47	38	27	--	65	57	49	41	30	21	66	59	54	45	36	28				
	150	65	57	44	36	23	--	66	59	49	40	29	18	67	60	51	43	32	22	69	62	56	47	38	30				
	225	70	63	49	40	26	--	72	65	53	45	32	21	72	66	56	47	35	25	74	68	60	52	41	32				
5	125	55	44	39	29	21	--	58	47	43	34	27	18	59	50	46	37	30	22	62	53	50	41	35	28				
	200	61	50	44	34	24	--	63	54	48	39	29	20	65	56	51	41	32	23	68	59	55	46	37	29				
	250	64	53	46	36	25	--	66	56	51	41	30	20	68	59	53	44	33	24	70	62	57	48	38	30				
	350	68	57	50	40	27	--	70	61	54	44	32	22	72	63	57	47	35	25	74	67	61	52	40	31				
6	150	55	43	38	28	--	--	58	48	43	33	25	--	60	50	46	36	28	19	63	55	51	41	35	27				
	225	59	49	42	32	21	--	62	53	47	37	27	17	64	56	50	40	31	22	67	60	55	45	37	30				
	300	62	52	46	35	22	--	65	57	51	40	29	19	67	59	53	43	32	24	70	64	58	48	39	31				
	400	65	56	49	37	24	--	68	60	54	43	30	21	70	63	57	46	34	25	73	67	62	51	40	33				
	450	66	57	50	39	25	--	69	62	55	44	31	22	71	64	58	47	35	26	74	69	63	52	41	34				
7	250	56	47	38	31	20	18	59	51	44	36	27	25	61	54	48	39	31	29	64	58	55	45	37	37				
	350	59	51	42	35	23	19	63	55	49	40	29	26	65	58	52	43	33	31	68	62	59	49	39	38				
	450	62	54	45	38	25	20	66	59	52	43	31	27	68	61	55	46	35	31	71	66	62	52	41	39				
	550	65	57	48	40	26	21	68	61	54	46	33	28	70	64	58	49	36	32	73	68	64	54	43	39				
	650	67	59	50	42	28	21	70	64	56	48	34	28	72	66	60	51	38	33	75	70	66	56	44	40				
8	400	59	50	43	36	26	18	62	55	49	41	32	25	65	57	53	44	35	29	68	62	59	49	42	36				
	500	61	53	44	38	27	20	65	57	51	43	33	27	67	60	54	46	37	31	70	64	61	51	43	38				
	600	63	55	46	39	28	21	66	59	52	44	34	28	68	62	56	47	38	32	72	66	62	53	44	39				
	700	64	56	47	41	29	22	68	61	54	46	35	29	70	64	57	49	39	33	74	68	64	54	45	40				
	800	65	58	48	42	30	23	69	62	55	47	36	30	71	65	58	50	40	34	75	70	65	55	46	41				
9	450	60	56	53	44	35	24	64	61	58	51	43	33	66	64	60	54	47	39	70	68	65	61	55	48				
	650	61	57	54	45	36	25	65	62	59	51	43	34	67	65	61	55	48	39	71	70	66	62	55	48				
	900	63	58	55	46	36	25	66	63	59	52	44	35	68	66	62	56	48	40	72	71	67	62	56	49				
	1100	63	59	55	46	36	26	67	64	60	53	44	35	69	67	63	56	48	40	73	71	67	63	56	49				
10	550	58	55	51	43	35	22	63	61	56	50	43	31	66	64	59	55	47	36	70	69	65	62	55	45				
	750	60	57	53	45	36	25	65	63	59	52	44	33	68	66	62	56	48	39	73	71	67	64	56	48				
	1000	62	59	56	47	37	27	67	64	61	54	45	36	70	68	64	58	50	41	75	73	69	66	58	50				
	1300	64	61	58	48	38	29	69	66	63	56	46	38	72	69	66	60	51	43	77	75	72	67	59	52				
	1350	64	61	58	49	38	30	69	66	63	56	46	39	72	70	66	60	51	44	77	75	72	67	59	53				
12	900	60	56	52	45	37	26	65	61	57	51	45	34	68	64	60	55	50	39	73	70	66	62	58	47				
	1200	62	57	54	46	38	28	67	63	59	53	46	36	70	66	63	57	51	41	75	72	68	64	59	49				
	1600	64	59	56	48	39	30	69	65	62	55	47	38	72	68	65	59	52	43	77	74	70	66	60	51				
	1800	65	60	57	49	39	31	70	66	63	56	47	39	73	69	66	60	52	44	78	75	71	66	60	52				
	2100	66	61	58	50	40	32	71	67	64	56	48	40	74	70	67	60	53	45	79	76	73	67	61	53				
14	1000	57	51	52	44	39	28	62	56	57	51	47	35	65	59	61	55	52	40	69	65	66	61	60	47				
	1500	61	55	55	47	40	31	66	60	61	54	48	38	68	63	64	58	53	42	73	69	69	65	61	50				
	2100	64	58	58	50	42	33	69	63	63	57	50	40	72	66	67	60	54	45	76	72	72	67	62	52				
	2300	65	59	59	51	42	33	70	64	64	57	50	41	73	67	67	61	54	45	77	73	73	68	62	53				
	3000	68	61	61	53	43	35	72	67	66	59	51	43	75	70	69	63	55	47	80	75	75	70	63	54				
16	1500	60	55	55	48	42	30	64	61	61	55	50	37	66	64	64	59	54	41	71	69	69	65	62	48				
	2000	63	58	58	51	43	32	67	63	63	57	51	39	70	67	66	61	55	43	74	72	72	68	63	50				
	2500	65	60	59	52	44	33	69	65	65	59	52	40	72	69	68	63	56	44	76	74	74	69	64	51				
	2800	66	61	60	53	45	34	71	67	66	60	52	41	73	70	69	64	57	45	77	75	75	70	64	52				
	3200	68	62	62	54	45	35	72	68	67	61	53	42	75	71	70	65	57	46	79	76	76	71	65	53				
	4000	70	65	63	56	46	36	74	70	69	62	54	43	77	73	72	66	58	48	81	78	78	73	66	55				

Performance Notes:

1. Test data obtained in accordance with AHRI Standard 880-2017 and ASHRAE Standard 130-2016.
2. Sound power levels include duct end corrections per AHRI Standard 880-2017.
3. All data are application ratings. Application ratings are outside the scope of the AHRI 880 Certification Program.
4. Dashes (-) indicate sound power levels below 36-29-26-22-19-17 for each octave band; values below these sound power levels are considered below significance per AHRI 880.

PERFORMANCE DATA

SDV with Low Profile Construction (SDVLP) – Radiated Sound Power Levels

Unit Size	Airflow cfm	Sound Power Levels Lw dB re 10 ⁻¹² Watts																								
		0.5 in.w.g.					1.0 in.w.g.					1.5 in.w.g.					3.0 in.w.g.									
		Octave Band							Octave Band							Octave Band							Octave Band			
		2	3	4	5	6	7	2	3	4	5	6	7	2	3	4	5	6	7	2	3	4	5	6	7	
4	75	44	35	28	23	--	--	45	37	32	27	23	21	46	38	34	29	26	23	48	40	37	33	31	28	
	125	48	42	35	28	22	19	50	43	38	33	27	23	50	45	40	35	29	26	52	47	44	39	34	30	
	150	50	44	37	30	23	19	51	46	41	35	28	24	52	47	43	37	31	26	53	49	46	41	36	31	
	225	53	49	42	35	25	21	55	51	46	39	30	26	55	52	48	42	33	28	57	54	51	46	38	33	
5	125	50	35	29	22	--	--	52	38	33	26	22	19	53	40	35	29	25	23	55	42	39	33	31	30	
	200	56	42	35	27	20	--	58	44	38	31	26	23	59	46	40	34	29	27	61	49	44	38	35	34	
	250	59	45	37	30	22	18	61	47	41	34	28	25	62	49	43	36	32	29	64	52	47	41	37	36	
	350	64	49	41	33	26	20	66	52	45	37	31	27	67	54	47	40	35	31	69	56	51	44	41	38	
6	150	46	37	30	24	20	--	50	41	34	28	26	23	52	43	36	31	30	27	55	47	39	36	36	33	
	225	50	42	35	28	24	19	54	46	38	33	30	26	56	48	41	35	33	29	59	52	44	40	39	36	
	300	53	45	38	31	26	21	56	49	42	36	32	27	58	51	44	38	36	31	62	55	48	43	42	37	
	400	56	48	41	34	28	23	59	52	45	38	34	29	61	54	47	41	38	33	64	58	51	46	44	39	
	450	57	50	43	35	29	24	60	54	47	40	35	30	62	56	49	42	39	34	65	60	52	47	45	40	
7	250	50	37	31	28	22	--	52	42	37	32	26	20	53	45	40	34	29	23	56	50	46	38	33	29	
	350	53	41	34	31	25	18	56	45	40	35	29	24	57	48	43	37	32	27	59	53	49	41	36	32	
	450	56	43	36	34	28	21	58	48	42	37	32	26	59	51	46	40	34	29	62	56	51	44	39	34	
	550	58	45	38	35	30	23	60	50	44	39	34	28	62	53	47	41	36	31	64	58	53	45	41	36	
	650	60	47	40	37	31	24	62	52	46	41	36	29	63	55	49	43	38	32	65	60	55	47	42	37	
8	400	54	43	33	26	23	--	57	47	39	32	29	25	59	50	42	35	33	29	62	55	48	40	39	37	
	500	56	45	35	28	24	18	59	50	41	34	31	25	61	53	44	37	34	30	64	58	50	42	40	38	
	600	57	47	37	30	25	18	61	52	42	35	32	26	63	55	46	38	35	31	66	60	52	44	41	39	
	700	59	49	38	31	26	18	62	54	44	36	32	26	64	56	47	40	36	31	67	61	53	45	42	39	
	800	60	50	39	32	27	19	63	55	45	38	33	27	65	58	48	41	37	31	69	63	54	46	43	39	
9	450	52	49	43	35	25	21	57	53	49	42	33	30	59	56	52	46	38	35	63	61	57	53	46	44	
	650	55	51	46	37	27	22	60	56	51	44	35	30	62	59	54	48	40	36	66	64	60	55	48	44	
	900	58	54	48	39	28	22	62	59	54	46	37	31	65	61	57	50	41	36	69	66	62	57	49	45	
	1100	59	55	50	40	29	23	64	60	55	47	37	32	66	63	58	51	42	37	70	68	64	58	50	46	
10	550	52	48	43	35	25	--	57	53	48	43	33	24	59	56	52	47	38	30	63	61	57	54	46	40	
	750	55	51	45	37	27	17	59	56	51	45	35	27	62	58	54	49	40	33	66	63	59	56	48	43	
	1000	58	53	47	39	29	20	62	58	53	46	37	30	64	61	56	51	42	36	69	66	61	58	50	46	
	1300	60	55	49	41	31	23	64	60	55	48	39	33	67	63	58	52	44	38	71	68	63	60	52	48	
	1350	61	56	49	41	32	23	65	61	55	48	40	33	67	64	58	53	45	39	71	68	63	60	53	48	
12	900	55	48	44	38	28	20	60	54	49	44	35	28	63	57	53	48	40	34	68	63	58	55	47	42	
	1200	57	51	46	39	30	22	62	56	52	46	37	30	65	59	55	50	42	35	70	65	61	57	49	44	
	1600	59	53	48	41	32	24	64	59	54	48	39	32	67	62	57	52	43	37	72	67	63	59	51	46	
	1800	60	54	49	42	32	25	65	60	55	49	40	33	68	63	58	53	44	38	73	68	64	60	51	47	
	2100	61	56	50	43	33	26	66	61	56	50	41	34	69	64	59	54	45	39	74	70	65	61	52	48	
14	1000	52	47	45	37	28	20	56	52	51	43	35	28	59	55	54	47	39	32	63	60	59	53	45	40	
	1500	57	51	48	40	31	24	61	56	54	46	38	32	64	59	57	50	42	37	68	64	63	57	49	44	
	2100	61	55	51	43	34	28	65	60	57	49	41	36	68	63	60	53	45	40	72	68	65	59	52	48	
	2300	62	56	52	44	35	29	66	61	57	50	42	37	69	64	60	54	46	41	73	69	66	60	52	49	
	3000	65	59	54	46	37	32	69	64	59	52	44	39	72	67	63	56	48	44	76	72	68	62	55	52	
16	1500	57	53	47	39	32	22	61	58	52	45	37	29	63	61	55	48	40	33	66	65	60	54	46	39	
	2000	62	56	49	42	35	26	65	61	55	47	41	33	67	63	58	51	44	36	70	68	63	57	49	43	
	2500	65	58	51	44	38	29	68	63	57	50	43	36	70	65	60	53	46	39	73	70	65	59	52	46	
	2800	66	59	52	45	39	31	70	64	58	51	45	37	72	67	61	54	48	41	75	71	66	60	53	48	
	3200	68	61	54	46	41	32	72	65	59	52	46	39	74	68	62	55	49	43	77	73	67	61	55	49	
	4000	71	63	56	48	43	35	75	67	61	54	49	42	77	70	64	57	52	46	80	75	69	63	57	52	

Performance Notes:

- Test data obtained in accordance with AHRI Standard 880-2017 and ASHRAE Standard 130-2016.
- Sound power levels include duct end corrections per AHRI Standard 880-2017.
- All data are applications ratings. Application ratings are outside the scope of the AHRI 880 Certification Program.
- Dashes (-) indicate sound power levels below 36-29-26-22-19-17 for each octave band; values below these sound power levels are considered below significance per AHRI 880.

PERFORMANCE DATA



SDV with Low Profile Construction (SDVLP) – 1 and 2 Row Hot Water Coil Data

Inlet Size 4,5,6

Rows	Coil gpm	HD Loss	Airflow Rate, cfm								
			125	150	175	200	225	250	300	350	400
1 Row Multi Circuit	0.5	0.15	5.5	6.0	6.4	6.7	7.0	7.3	7.8	8.2	8.5
	1	0.50	6.3	6.9	7.4	7.9	8.4	8.8	9.5	10.1	10.6
	2	1.73	6.7	7.4	8.1	8.7	9.2	9.7	10.6	11.3	12.0
	3	3.60	6.9	7.7	8.3	9.0	9.5	10.1	11.0	11.8	12.6
	Through the Coil, ΔPs		0.02	0.03	0.03	0.04	0.05	0.06	0.08	0.10	0.13
2 Row Multi Circuit	1	0.14	10.5	11.7	12.7	13.7	14.6	15.4	16.7	17.9	18.9
	2	0.47	11.2	12.6	13.9	15.1	16.2	17.2	19.0	20.6	21.9
	4	1.64	11.6	13.1	14.5	15.8	17.0	18.2	20.2	21.9	23.5
	6	3.43	11.7	13.3	14.8	16.1	17.4	18.6	20.7	22.5	24.2
	Through the Coil, ΔPs		0.04	0.06	0.07	0.09	0.11	0.13	0.18	0.23	0.29

Inlet Size 7,8

Rows	Coil gpm	HD Loss	Airflow Rate, cfm								
			200	250	300	350	400	500	600	700	800
1 Row Multi Circuit	0.5	0.21	7.23	7.9	8.4	8.8	9.2	9.8	10.3	10.7	11.0
	1	0.73	8.68	9.6	10.4	11.1	11.7	12.7	13.5	14.2	14.8
	2	2.53	9.59	10.8	11.8	12.7	13.5	14.8	15.9	16.9	17.7
	3	5.25	9.97	11.3	12.4	13.4	14.2	15.7	17.0	18.1	19.1
	Through the Coil, ΔPs		0.03	0.04	0.05	0.06	0.08	0.11	0.15	0.20	0.25
2 Row Multi Circuit	1	0.17	14.68	16.5	18.0	19.3	20.5	22.3	23.8	25.0	26.0
	2	0.60	16.33	18.7	20.7	22.5	24.1	26.8	29.1	31.0	32.7
	4	2.10	17.18	19.8	22.2	24.3	26.2	29.5	32.2	34.7	36.8
	6	4.39	17.52	20.3	22.8	25.1	27.1	30.6	33.6	36.3	38.6
	Through the Coil, ΔPs		0.06	0.08	0.11	0.14	0.18	0.26	0.35	0.45	0.56

Inlet Size 9,10

Rows	Coil gpm	HD Loss	Airflow Rate, cfm								
			300	400	500	600	700	800	900	1000	1100
1 Row Multi Circuit	1	0.11	12.14	13.7	14.9	15.9	16.7	17.4	18.0	18.5	19.0
	2	0.37	14.10	16.2	18.0	19.4	20.7	21.8	22.7	23.6	24.4
	4	1.29	15.24	17.8	19.9	21.7	23.2	24.6	25.9	27.0	28.0
	6	2.72	15.72	18.4	20.7	22.7	24.4	25.9	27.3	28.6	29.7
	Through the Coil, ΔPs		0.03	0.04	0.06	0.09	0.11	0.14	0.17	0.20	0.24
2 Row Multi Circuit	1	0.19	20.07	22.9	25.0	26.7	28.0	29.2	30.1	31.0	31.7
	2	0.67	23.52	27.6	30.9	33.7	36.0	38.0	39.8	41.4	42.8
	4	2.33	25.47	30.5	34.7	38.2	41.3	44.1	46.5	48.7	50.8
	6	4.87	26.24	31.6	36.2	40.1	43.6	46.7	49.5	52.1	54.4
	Through the Coil, ΔPs		0.06	0.10	0.15	0.20	0.25	0.31	0.38	0.45	0.53

Inlet Size 12

Rows	Coil gpm	HD Loss	Airflow Rate, cfm							
			400	500	600	700	800	1000	1200	1400
1 Row Multi Circuit	1	0.12	15.3	16.6	17.7	18.7	19.4	20.7	21.7	22.5
	2	0.41	18.6	20.7	22.4	23.9	25.2	27.3	29.0	30.5
	3	1.43	20.7	23.3	25.6	27.5	29.2	32.2	34.6	36.7
	4	3.00	21.6	24.5	27.0	29.2	31.1	34.4	37.3	39.7
	Through the Coil, ΔPs		0.03	0.04	0.06	0.07	0.09	0.13	0.17	0.22
2 Row Multi Circuit	1	0.22	24.8	27.1	29.0	30.5	31.7	33.6	35.1	36.2
	2	0.75	30.6	34.4	37.6	40.3	42.6	46.4	49.5	52.0
	4	2.60	34.1	39.1	43.4	47.2	50.6	56.3	61.0	65.0
	6	5.44	35.5	41.1	45.9	50.2	54.0	60.7	66.3	71.1
	Through the Coil, ΔPs		0.06	0.09	0.12	0.16	0.20	0.28	0.38	0.49

Performance notes at end of section.

PERFORMANCE DATA



SDV with Low Profile Construction (SDVLP) – 1 and 2 Row Hot Water Coil Data

Inlet Size 14

Rows	Coil gpm	HD Loss	Airflow Rate, cfm								
			600	800	1000	1200	1400	1600	1800	2000	2200
1 Row Multi Circuit	2	0.13	24.8	28.0	30.4	32.4	34.0	35.4	36.7	37.7	38.7
	4	0.46	28.9	33.3	36.8	39.8	42.3	44.5	46.4	48.2	49.8
	8	1.61	31.3	36.5	40.8	44.4	47.5	50.3	52.9	55.1	57.2
	12	3.36	32.3	37.9	42.5	46.5	49.9	53.0	55.8	58.4	60.7
	Through the Coil, ΔPs		0.04	0.07	0.09	0.13	0.16	0.20	0.25	0.29	0.34
2 Row Multi Circuit	2	0.19	40.7	46.3	50.5	53.9	56.6	58.9	60.9	62.5	64.0
	4	0.65	47.7	56.0	62.7	68.2	72.9	76.9	80.5	83.6	86.5
	8	2.25	51.6	61.8	70.1	77.3	83.5	89.1	94.0	98.5	102.5
	12	4.71	53.2	64.1	73.3	81.2	88.2	94.5	100.1	105.2	109.9
	Through the Coil, ΔPs		0.09	0.14	0.21	0.28	0.36	0.45	0.55	0.65	0.76

Inlet Size 16

Rows	Coil gpm	HD Loss	Airflow Rate, cfm										
			800	1000	1200	1400	1600	1800	2000	2200	2400	2600	2800
1 Row Multi Circuit	2	0.14	30.7	33.4	35.5	37.3	38.8	40.1	41.3	42.3	43.2	44.1	44.8
	4	0.48	37.4	41.4	44.8	47.7	50.2	52.4	54.4	56.2	57.8	59.3	60.7
	8	1.69	41.6	46.7	51.0	54.8	58.1	61.1	63.8	66.3	68.6	70.7	72.6
	12	3.54	43.4	49.0	53.8	58.0	61.7	65.1	68.2	71.1	73.7	76.1	78.4
	Through the Coil, ΔPs		0.05	0.07	0.09	0.12	0.15	0.18	0.21	0.25	0.29	0.33	0.37
2 Row Multi Circuit	2	0.20	49.6	54.2	57.8	60.7	63.1	65.1	66.9	68.4	69.8	71.0	72.0
	4	0.69	61.0	68.6	74.8	80.1	84.6	88.6	92.1	95.2	98.0	100.6	102.9
	8	2.42	68.0	77.8	86.2	93.5	99.9	105.7	111.0	115.7	120.1	124.1	127.8
	12	5.06	70.8	81.6	91.0	99.3	106.7	113.5	119.6	125.2	130.4	135.2	139.7
	Through the Coil, ΔPs		0.10	0.15	0.20	0.26	0.32	0.39	0.47	0.55	0.63	0.72	0.82

Performance Notes:

1. Tabulated values are in MBH (thousands of Btu per hour).
2. Minimum air and water flow values are based on ASHRAE recommendations for coil selections. For selections below these tabulated air or water values, please consult your local Price representative.
3. Do not select coils for a leaving air temperature above 120 °F.
4. HD (Head) loss is in ft of water.
5. ΔPs, is the pressure drop in in. of water across the coil.
6. Values in tables are listed for 0 ft of altitude and no glycol in the system.
7. For information outside the ranges used in the table, consult the current Price software or your Price representative for accurate coil information.
8. Heating coils used in this unit have performance rated and certified in accordance with the current edition of AHRI Standard 410.
9. Connections: 7/8 in. OD male solder.

PERFORMANCE DATA

SDV with Low Profile Construction (SDVLP) SDVLP Electric Coil Max kW – Staged Control

Size	Stages	1 Phase						3 Phase		
		120	208	240	277	347	480	208	480	600
4	1, 2, 3	5.6	5.7	5.7	5.7	5.7	4.4	5.7	5.7	5.7
5	1, 2, 3	5.6	6.9	6.7	6.5	6.8	4.4	6.9	6.7	7
6	1, 2, 3	5.6	6.9	6.7	6.5	6.8	4.4	6.9	6.7	7
7	1, 2, 3	5.6	9.8	11.3	11	9.7	11.2	9.8	11.3	9.9
8	1, 2, 3	5.6	9.8	11.3	11	9.7	11.2	9.8	11.3	9.9
9	1, 2, 3	5.6	9.8	11.3	13.1	15	15	15	15	15
10	1, 2, 3	5.6	9.8	11.3	13.1	16.4	19	16.5	19.1	16.8
12	1, 2, 3	5.6	9.8	11.3	13.1	16.4	22.7	17.2	26.9	28.3
14	1, 2, 3	4.6	9.8	11.3	13.1	16.4	22.7	17.2	32	33.6
16	1, 2, 3	3.5	9.8	11.3	13.1	16.4	22.7	17.2	39.9	47.7

SDVLP Electric Coil Max kW – SCR Control

Size	Stages	1 Phase						3 Phase		
		120	208	240	277	347	480	208	480	600
4	SCR	5.4	5.7	5.7	5.7	5.7	5.7	5.7	5.7	5.7
5	SCR	5.4	6.9	6.5	6.5	6.8	6.7	6.9	7.1	7
6	SCR	5.4	6.9	6.5	6.5	6.8	6.7	6.9	7.8	7
7	SCR	5.4	9.3	11	11	9.7	11.3	11.4	11.3	11.4
8	SCR	5.4	9.3	11	11	9.7	11.3	11.6	11.3	11.9
9	SCR	5.4	9.3	10.8	12.4	15	15	15	15	15
10	SCR	5.4	9.3	10.8	12.4	15.6	19.1	16.2	19.1	19.2
12	SCR	5.4	9.3	10.8	12.4	15.6	21.5	16.2	26.9	28.3
14	SCR	4.6	9.3	10.8	12.4	15.6	21.5	16.2	32	33.6
16	SCR	3.5	9.3	10.8	12.4	15.6	21.5	16.2	37.4	46.7

Performance Notes:

- ETL certified assemblies.
- Minimum kW:
Staged control Single Phase = .5 kW per stage
Staged control Three Phase = 1.5 kW.
SCR controller, Single Phase = 1 kW
- The recommended limit of 48 amps may be exceeded. This requires supplemental fusing to meet NEC code requirements. Contact your local Price representative for further details.
- Maximum kW limitations are the lesser of:
 - Coil selection chart
 - Minimum airflow requirement of 70 cfm/kW.

SDV

Single Duct Terminal Unit

PERFORMANCE DATA



SDV with Silencer (SDVQ) – AHRI Certification Rating Points

Fiberglass Liner – Straight Silencer

Unit Size	Rated Airflow	Minimum Operating Pressure Required	Radiated Sound Power Level, dB at 1.5 in.w.g. Octave Band							Discharge Sound Power Level, dB at 1.5 in.w.g. Octave Band						
	cfm		in.w.g.	2	3	4	5	6	7	2	3	4	5	6	7	
4	150	0.01	57	47	39	32	28	26	59	47	32	22	20	24		
5	250	0.01	63	47	39	33	28	30	68	52	34	32	29	25		
6	400	0.01	62	52	44	36	32	26	68	53	39	25	23	25		
7	550	0.04	59	53	44	37	34	27	68	55	40	30	29	30		
8	700	0.01	63	52	46	40	35	30	70	56	41	38	38	37		
9	900	0.01	62	53	46	41	38	35	72	57	43	33	38	40		
10	1100	0.01	64	53	47	44	40	37	71	57	45	39	44	44		
12	1600	0.01	66	54	51	49	43	37	71	58	49	44	48	49		
14	2100	0.01	68	56	54	51	47	40	73	59	52	47	52	52		
16	2800	0.01	70	61	57	54	51	44	75	60	52	50	54	52		
24x16	5300	0.01	76	70	64	58	54	49	76	68	59	51	55	55		

Performance Notes:

1. Sound power levels expressed in decibels, (dB) re 10⁻¹² watts.
2. Sound power levels include duct end corrections per AHRI Standard 880-2017.

PERFORMANCE DATA

SDV with Integral Discharge Silencer (SDVQ) – Recommended Air Volume Ranges

Price Intelligent Controller (PIC)

Inlet Size	Min. Flow (CFM)	Max. Flow (CFM)
4	50	225
5	63	350
6	66	450
7	99	650
8	132	800
9	167	1050
10	221	1350
12	304	2100
14	439	3000
16	568	4000
24 x 16	1187	8000

Digital Controls

Unit Size	cfm Min.*	cfm Max.
4	50	225
5	63	350
6	66	450
7	99	650
8	132	800
9	167	1050
10	221	1350
12	304	2100
14	439	3000
16	568	4000
24 x 16	1187	8000

Notes:

Factory calibrated controls must be selected within the above flow range limits. A minimum value of 0 is also available. When an auxiliary flow setting is specified, the value must be greater than the minimum setting and within the range limits.

On controls mounted by Price but supplied by others, the air volume ranges are guidelines only.

*Minimum airflow limit is based on min .02 in.w.g. differential pressure signal from airflow sensor. Selection of airflow limits below the listed values is not recommended. Stability and accuracy may not be acceptable at lower than recommended airflow limits. The actual performance will vary depending on the terminal unit controls supplied.

Maximum airflow limit is based on max 1.0 in.w.g. differential pressure signal from the airflow sensor.

The table shows the recommended/available minimum airflows for popular single duct sizes. Airflow targets of 0 are typically not recommended due to the fresh air requirements of the occupied space.

PERFORMANCE DATA

SDV with Silencer (SDVQ) – Typical Selection Guide

Fiberglass Liner – Straight Silencer

Unit Size	Airflow cfm	Basic Unit in.w.g.	Minimum ΔPs Across Assembly		Discharge NC Basic Unit ΔPs Across Unit								Radiated NC Basic Unit ΔPs Across Unit			
			1 Row Coil	2 Row Coil	(1) 0.5	(2) 0.5	(1) 1.0	(2) 1.0	(1) 1.5	(2) 1.5	(2) 1.5	(2) 3.0	0.5	1.0	1.5	3.0 in.w.g.
			in.w.g.	in.w.g.	in.w.g.	in.w.g.	in.w.g.	in.w.g.	in.w.g.	in.w.g.	in.w.g.	in.w.g.	in.w.g.	in.w.g.	in.w.g.	in.w.g.
4	75	0.01	0.02	0.03	--	--	--	--	--	--	--	--	--	--	--	--
	125	0.01	0.03	0.05	--	--	--	--	--	--	--	--	--	--	--	--
	150	0.01	0.04	0.08	--	--	--	--	--	--	--	--	--	--	--	20
	225	0.01	0.05	0.11	21	--	23	20	24	21	25	23	25	26	27	28
5	125	0.01	0.03	0.05	--	--	--	--	--	20	--	--	--	--	--	--
	200	0.01	0.05	0.09	--	--	21	--	24	21	29	26	--	--	22	27
	250	0.01	0.07	0.15	--	--	25	22	28	25	33	30	--	23	26	32
	350	0.04	0.14	0.25	22	--	27	24	30	27	35	32	24	30	33	38
6	150	0.01	0.03	0.06	--	--	--	--	--	--	--	--	--	--	--	--
	225	0.01	0.05	0.11	--	--	--	--	--	--	21	--	--	--	--	--
	300	0.01	0.08	0.17	--	--	--	--	--	--	22	--	--	--	21	25
	400	0.01	0.12	0.24	--	--	21	--	23	20	27	24	--	23	25	29
7	450	0.01	0.16	0.33	--	--	23	20	25	22	29	26	21	25	27	31
	250	0.01	0.04	0.08	--	--	--	--	--	--	--	--	--	--	--	--
	350	0.02	0.08	0.15	--	--	--	--	--	--	--	--	--	--	--	--
	450	0.03	0.12	0.22	--	--	--	--	--	--	24	21	--	--	--	23
8	550	0.04	0.17	0.31	--	--	21	--	24	21	28	25	--	--	22	27
	650	0.04	0.21	0.40	21	--	25	22	27	25	31	29	--	22	25	30
	400	0.01	0.08	0.17	--	--	--	--	--	--	21	--	--	--	--	--
	500	0.01	0.12	0.24	--	--	--	--	21	--	25	22	--	--	20	24
9	600	0.01	0.16	0.33	--	--	21	--	24	21	28	25	--	21	24	28
	700	0.01	0.2	0.42	20	--	24	21	26	24	30	28	20	24	27	31
	800	0.01	0.25	0.52	--	--	24	21	26	23	30	27	23	27	29	33
	450	0.01	0.06	0.11	--	--	--	--	--	--	22	--	--	--	--	21
10	650	0.01	0.10	0.20	--	--	21	--	23	21	28	25	--	--	20	26
	900	0.01	0.15	0.31	--	--	24	21	26	24	31	28	--	21	25	30
	1050	0.01	0.21	0.44	22	--	26	24	29	26	33	31	--	23	27	33
	550	0.01	0.08	0.16	--	--	--	--	--	--	--	--	--	--	--	21
12	750	0.01	0.12	0.25	--	--	--	--	--	--	25	23	--	--	22	26
	950	0.01	0.18	0.37	--	--	--	--	22	--	27	25	--	23	25	30
	1100	0.01	0.25	0.51	--	--	21	--	24	22	30	27	20	25	28	33
	1350	0.01	0.32	0.66	--	--	25	23	28	26	34	31	24	28	31	36
14	900	0.01	0.10	0.20	--	--	--	--	--	--	25	23	--	--	21	27
	1200	0.01	0.16	0.33	--	--	--	--	21	--	27	24	--	22	25	32
	1600	0.01	0.23	0.47	--	--	23	--	25	22	31	28	--	26	30	36
	1800	0.01	0.31	0.63	21	--	25	21	27	24	32	30	22	28	32	38
16	2100	0.01	0.4	0.82	24	--	28	23	30	26	34	32	24	30	34	41
	1000	0.01	0.07	0.13	--	--	--	--	--	--	21	--	--	--	--	26
	1500	0.01	0.12	0.25	--	--	--	--	22	--	28	25	--	23	26	33
	2100	0.01	0.2	0.4	20	--	25	21	28	24	33	31	22	28	32	38
24x16	2500	0.01	0.28	0.58	23	--	28	24	30	27	36	34	25	31	35	41
	3000	0.01	0.38	0.79	26	20	31	26	33	30	39	36	28	34	38	44
	1500	0.01	0.09	0.19	--	--	--	--	--	--	26	23	--	21	25	31
	2000	0.01	0.15	0.3	--	--	--	--	23	21	31	28	--	26	30	36
24x16	2500	0.01	0.21	0.43	--	--	23	21	27	25	35	32	24	30	34	40
	2800	0.01	0.28	0.58	20	--	25	23	29	27	37	34	25	32	35	42
	3500	0.01	0.37	0.75	24	--	29	27	33	31	41	38	29	35	39	45
	4000	0.01	0.46	0.94	27	22	31	29	36	33	43	41	31	38	41	48
24x16	3000	0.01	0.13	0.28	--	--	--	--	23	20	31	27	25	30	32	37
	4000	0.01	0.21	0.44	--	--	23	21	27	25	34	32	30	35	38	42
	5300	0.01	0.31	0.64	21	--	27	25	31	29	38	36	36	40	43	47
	6000	0.01	0.42	0.86	23	--	29	27	33	31	40	38	38	42	45	50
24x16	7000	0.01	0.54	1.11	25	22	31	29	36	33	42	40	41	45	48	53
	8000	0.01	0.68	1.39	27	24	33	31	37	35	44	42	43	48	50	55

Performance Notes:

- NCs are derived from sound power levels, which are obtained in accordance with AHRI Standard 880-2017 and ASHRAE Standard 130-2016.
- NCs are derived from sound power levels which include duct end corrections per AHRI Standard 880 -2017.
- Blank spaces (-) indicate NCs less than 20.
- ΔPs is the difference in static pressure from inlet to discharge of the unit.
- ΔPs for terminal units with electric coil is equal to basic unit. Resistance of the coil elements is negligible.
- ΔPt is the difference in total pressure from inlet to discharge of the unit.

- NC values are calculated based on procedures outlined in AHRI Standard 885- 2008, "A Procedure for Estimating Occupied Space Sound Levels in the Application of Air Terminals and Air Outlets."

Radiated NC is based on a 5/8 in. mineral fiber tile ceiling per AHRI 885-2008, Appendix E typical attenuation values.

Total Deduction	Octave Band Mid Frequency, Hz					
	120	250	500	1000	2000	4000
All Sizes	18	19	20	26	31	36

(1) Discharge NC is based on environmental effect, end reflection, flex duct and sound power division. No deductions for lined duct are included. These calculations are not covered by AHRI 885-2008 Appendix E.

Total Deduction	Octave Band Mid Frequency, Hz					
	120	250	500	1000	2000	4000
< 300 cfm	22	22	27	28	30	22
300 – 700 cfm	25	25	30	31	33	25
> 700 cfm	27	27	32	33	35	27

(2) Discharge NC is based on environmental effect, end reflection, flex duct, sound power division and lined duct per AHRI 885-2008 Appendix E attenuation values.

Total Deduction	Octave Band Mid Frequency, Hz					
	120	250	500	1000	2000	4000
< 300 cfm	24	28	39	53	59	40
300 – 700 cfm	27	29	40	51	53	39
> 700 cfm	29	30	41	51	52	39

PERFORMANCE DATA

SDV with Silencer (SDVQ) – Typical Selection Guide

Hospital Grade Liner (FF/PL) – Straight Silencer

Unit Size	Airflow cfm	Basic Unit in.w.g.	Minimum ΔPs Across Assembly		Discharge NC Basic Unit ΔPs Across Unit									Radiated NC Basic Unit ΔPs Across Unit			
			1 Row Coil	2 Row Coil	-1 0.5	-2 0.5	-3 0.5	-1 1.5	-2 1.5	-3 1.5	-1 3.0	-2 3.0	-3 3.0	0.5	1.0	1.5	3.0
			in.w.g.	in.w.g.	in.w.g.	in.w.g.	in.w.g.	in.w.g.	in.w.g.	in.w.g.	in.w.g.	in.w.g.	in.w.g.	in.w.g.	in.w.g.	in.w.g.	in.w.g.
4	75	0.01	0.02	0.03	--	--	--	--	22	--	--	--	26	--	--	--	--
	125	0.01	0.03	0.05	--	25	--	--	30	--	--	--	33	--	--	--	--
	150	0.01	0.03	0.06	--	28	--	--	32	--	--	--	35	--	--	--	--
	225	0.01	0.05	0.11	26	37	24	26	38	23	27	41	23	23	23	23	24
5	125	0.01	0.03	0.05	--	21	--	--	27	--	--	--	31	--	--	--	--
	200	0.01	0.05	0.09	--	27	--	--	33	--	--	23	37	--	--	--	--
	250	0.01	0.06	0.13	22	30	--	25	36	23	27	40	25	--	20	22	24
	350	0.01	0.11	0.22	26	33	23	29	37	26	31	41	28	27	29	31	33
6	150	0.01	0.03	0.06	--	--	--	--	24	--	--	--	28	--	--	--	--
	225	0.02	0.06	0.12	--	23	--	--	30	--	--	--	34	--	--	--	--
	300	0.04	0.11	0.2	--	25	--	--	31	--	--	20	35	--	--	21	22
	400	0.08	0.2	0.34	--	31	--	24	36	--	27	40	23	23	24	26	27
7	250	0.02	0.05	0.09	--	20	--	--	29	--	--	--	34	--	--	--	--
	350	0.03	0.09	0.16	--	22	--	--	30	--	--	--	36	--	--	--	21
	450	0.05	0.14	0.24	--	26	--	21	34	--	25	39	21	--	--	22	26
	550	0.06	0.19	0.33	--	30	--	25	37	20	29	42	25	--	23	26	31
8	400	0.01	0.08	0.17	--	25	--	--	33	--	--	23	38	20	--	--	24
	500	0.02	0.13	0.25	--	28	--	22	36	--	27	41	24	--	20	23	28
	600	0.03	0.18	0.35	--	31	--	25	38	22	29	43	27	--	23	26	31
	700	0.05	0.24	0.46	21	33	--	28	41	25	32	46	29	21	26	29	34
9	450	0.01	0.06	0.11	--	24	--	--	34	--	--	23	40	--	--	--	21
	650	0.01	0.1	0.2	--	29	--	24	38	20	29	44	26	--	--	22	27
	900	0.01	0.16	0.34	--	31	--	27	40	23	32	46	28	--	24	27	32
	1050	0.01	0.21	0.44	21	33	--	29	42	26	34	48	31	21	26	29	35
10	550	0.01	0.08	0.16	--	26	--	--	34	--	--	23	39	20	--	--	25
	750	0.01	0.12	0.25	--	30	--	23	38	20	28	44	26	--	20	24	30
	950	0.02	0.19	0.38	--	31	--	24	39	22	30	45	27	--	25	28	34
	1100	0.02	0.24	0.48	--	33	--	27	41	24	32	47	30	21	27	31	37
12	1350	0.03	0.34	0.68	23	35	--	30	44	28	36	49	33	25	31	34	40
	900	0.01	0.1	0.2	--	24	--	24	35	21	31	41	28	--	21	25	33
	1200	0.01	0.16	0.33	--	26	--	25	35	23	33	42	30	--	25	30	37
	1600	0.01	0.25	0.52	--	30	--	29	38	27	37	45	34	22	29	34	41
14	1800	0.01	0.31	0.63	20	32	--	31	40	29	39	46	36	24	31	35	43
	2100	0.01	0.4	0.82	23	34	--	34	43	31	41	49	38	26	33	38	45
	1000	0.01	0.07	0.13	--	22	--	--	32	--	24	39	22	--	22	26	32
	1500	0.01	0.12	0.25	--	28	--	24	36	20	30	43	28	21	26	30	36
16	2100	0.01	0.21	0.44	21	32	--	28	40	25	35	46	33	24	30	33	39
	2500	0.01	0.28	0.58	23	35	--	30	42	28	38	47	35	26	32	35	41
	3000	0.01	0.38	0.79	25	37	--	33	45	30	40	49	38	28	33	37	43
	1500	0.01	0.09	0.19	--	26	--	--	37	--	28	44	25	--	21	26	33
24x16	2000	0.01	0.15	0.3	--	28	--	24	39	21	31	47	29	--	26	30	38
	2500	0.01	0.21	0.43	--	30	--	27	42	24	34	49	32	22	30	34	42
	2800	0.01	0.25	0.52	--	33	--	28	43	25	36	50	33	24	31	36	43
	3500	0.01	0.37	0.75	23	38	--	32	45	28	39	52	36	27	35	39	47
24x16	4000	0.01	0.46	0.94	25	41	--	34	46	30	41	53	38	30	37	42	49
	3000	0.01	0.13	0.28	--	32	--	30	43	23	36	50	30	32	36	39	43
	4000	0.01	0.21	0.44	22	34	--	32	45	25	38	51	32	37	42	44	49
	5300	0.01	0.34	0.7	24	36	--	34	46	27	41	53	34	43	47	50	54
24x16	6000	0.01	0.42	0.86	25	37	--	35	47	28	42	54	36	45	50	52	57
	7000	0.01	0.54	1.11	27	38	--	37	49	30	43	55	37	48	53	55	60
	8000	0.01	0.68	1.39	28	39	--	38	50	31	44	56	39	51	55	58	62

Performance Notes:

1. NCs are derived from sound power levels, which are obtained in accordance with AHRI Standard 880-2017 and ASHRAE Standard 130-2016.
2. NCs are derived from sound power levels which include duct end corrections per AHRI Standard 880-2017.
3. Blank spaces (--) indicate NCs less than 20.
4. ΔPs is the difference in static pressure from inlet to discharge of the unit.
5. ΔPs for terminal units with electric coil is equal to basic unit. Resistance of the coil elements is negligible.
6. ΔPt is the difference in total pressure from inlet to discharge of the unit.
7. NC values are calculated based on procedures outlined in AHRI Standard 885-2008, "A Procedure for Estimating Occupied Space Sound Levels in the Application of Air Terminals and Air Outlets".

Radiated NC is based on a 5/8 in. mineral fiber tile ceiling per AHRI 885-2008 Appendix E typical attenuation values.

Total Deduction	Octave Band Mid Frequency, Hz					
	120	250	500	1000	2000	4000
All Sizes	18	19	20	26	31	36

(1) Discharge NC is based on environmental effect, end reflection, flex duct and sound power division. No deductions for lined duct are included. These calculations are not covered by AHRI 885-2008 Appendix E.

Total Deduction	Octave Band Mid Frequency, Hz					
	120	250	500	1000	2000	4000
< 300 cfm	22	22	27	28	30	22
300 – 700 cfm	25	25	30	31	33	25
> 700 cfm	27	27	32	33	35	27

(2) Discharge NC is based on environmental effect, end reflection and sound power division. No deductions for lined duct or flex duct are included. These calculations are not covered by AHRI 885-2008 Appendix E.

Total Deduction	Octave Band Mid Frequency, Hz					
	120	250	500	1000	2000	4000
< 300 cfm	16	12	9	8	9	10
300 – 700 cfm	19	15	12	11	12	13
> 700 cfm	21	17	14	13	14	16

(3) Discharge NC is based on environmental effect, end reflection, flex duct, sound power division and lined duct per AHRI 885-2008 Appendix E attenuation values.

Total Deduction	Octave Band Mid Frequency, Hz					
	120	250	500	1000	2000	4000
< 300 cfm	24	28	39	53	59	40
300 – 700 cfm	27	29	40	51	53	39
> 700 cfm	29	30	41	51	52	39

PERFORMANCE DATA



SDV with Silencer (SDVQ) – Radiated Sound Power Levels

Fiberglass Liner – Straight Silencer

Unit Size	Airflow cfm	Sound Power Levels Lw dB re 10 ⁻¹² Watts																							
		0.5 in.w.g. Octave Band						1.0 in.w.g. Octave Band						1.5 in.w.g. Octave Band						3.0 in.w.g. Octave Band					
		2	3	4	5	6	7	2	3	4	5	6	7	2	3	4	5	6	7	2	3	4	5	6	7
4	75	45	35	29	--	--	--	46	37	31	24	20	20	47	37	32	26	24	23	48	38	35	29	29	29
	125	53	43	34	26	--	--	54	44	36	29	24	22	54	45	37	30	27	25	55	46	40	33	33	31
	150	56	45	35	27	20	--	57	46	38	30	25	22	57	47	39	32	28	26	58	48	42	34	34	31
	225	62	51	39	31	23	18	63	52	42	33	28	24	63	53	43	35	31	27	64	54	46	38	37	33
5	125	46	31	--	--	--	--	50	34	--	--	--	--	52	36	26	--	--	--	56	38	29	22	21	25
	200	53	39	31	25	--	--	57	42	33	27	22	20	59	43	35	29	24	25	64	46	38	31	29	34
	250	56	43	35	29	21	--	60	45	38	31	26	25	63	47	39	33	28	30	67	50	42	35	33	38
	350	62	48	41	36	27	23	66	51	44	38	32	31	68	53	45	39	35	36	72	55	48	41	39	44
6	150	45	32	--	--	--	--	48	35	28	23	20	--	50	36	31	26	23	20	53	39	36	31	28	25
	225	50	38	29	23	--	--	53	41	34	27	24	19	55	43	36	30	27	22	58	46	41	35	31	27
	300	54	43	33	26	22	--	57	46	37	31	26	21	59	47	40	33	29	24	62	50	45	38	34	29
	400	57	47	36	29	24	18	60	50	41	34	29	23	62	52	44	36	32	26	66	55	48	41	37	31
450	59	49	38	30	25	19	62	52	42	35	30	24	64	54	45	37	33	27	67	57	50	42	38	32	
7	250	41	39	--	--	--	--	45	42	--	--	--	--	47	44	27	--	--	--	51	47	30	--	21	21
	350	46	43	30	23	20	--	50	46	33	25	23	--	52	48	35	26	25	19	56	51	37	27	28	27
	450	50	46	36	30	25	--	54	49	38	31	28	19	56	50	40	32	30	23	60	54	43	33	33	32
	550	53	48	40	35	30	--	57	51	43	36	33	22	59	53	44	37	34	27	63	56	47	38	37	35
650	56	50	44	39	33	18	60	53	46	41	36	26	62	55	48	41	38	30	66	58	51	43	41	38	
8	400	50	36	31	26	21	21	53	40	36	30	26	25	55	43	38	33	28	27	58	48	43	37	33	31
	500	53	40	34	29	24	22	56	44	39	33	28	26	58	47	41	35	31	28	61	51	46	39	36	32
	600	56	43	36	31	26	23	59	47	41	35	31	27	61	50	44	38	33	29	64	54	48	42	38	33
	700	58	45	38	33	28	24	61	50	43	37	32	28	63	52	46	40	35	30	66	57	50	44	39	34
800	60	47	40	35	29	25	63	52	45	39	34	29	65	55	47	41	37	31	68	59	52	45	41	35	
9	450	47	39	33	27	22	17	52	43	36	30	27	25	54	46	39	32	29	29	59	50	42	35	33	37
	650	51	43	37	32	27	20	56	47	40	35	31	28	58	50	43	37	34	32	63	54	46	40	38	40
	900	54	46	40	37	31	23	59	51	44	40	35	31	62	53	46	41	38	35	66	57	50	44	42	43
	1050	56	48	42	39	33	25	61	52	45	42	37	32	63	55	48	43	39	36	68	59	51	46	44	44
10	550	50	37	31	29	24	19	53	42	36	33	28	24	55	45	39	36	31	27	59	49	44	40	35	32
	750	54	41	35	33	28	23	57	45	40	37	32	28	59	48	43	39	35	31	63	53	48	43	39	36
	950	57	44	37	35	31	26	60	48	42	39	35	32	62	51	45	42	38	35	66	56	50	46	42	40
	1100	58	45	39	37	33	28	62	50	44	41	37	33	64	53	47	44	40	37	68	58	52	48	44	42
1350	61	48	41	39	35	31	65	53	46	43	40	36	67	56	49	46	42	39	70	61	54	50	47	44	
12	900	51	39	36	35	29	20	56	44	42	40	33	26	59	48	45	42	36	29	64	53	51	47	41	34
	1200	54	42	39	38	32	24	59	47	45	43	37	30	62	51	48	46	40	33	67	56	53	51	44	38
	1600	58	45	42	42	36	28	63	51	48	47	41	34	66	54	51	49	43	37	71	59	56	54	48	42
	1800	59	46	43	43	38	30	64	52	49	48	42	35	67	55	52	51	45	38	72	61	58	55	49	44
2100	61	48	45	45	39	32	66	54	50	50	44	37	69	57	54	53	47	40	74	62	59	57	51	46	
14	1000	50	39	37	35	31	20	55	45	42	39	36	25	58	48	45	42	38	29	63	53	50	47	42	34
	1500	56	43	42	40	36	26	60	49	47	44	40	32	63	52	50	47	43	35	68	58	55	52	47	40
	2100	60	47	46	44	40	31	65	53	51	48	44	37	68	56	54	51	47	40	72	61	59	56	51	45
	2500	62	49	48	46	42	34	67	54	53	50	46	39	70	58	56	53	49	42	75	63	61	58	53	48
3000	65	51	50	48	44	37	69	56	55	53	49	42	72	60	58	55	51	45	77	65	63	60	55	50	
16	1500	54	45	42	41	37	28	59	50	47	46	42	34	62	54	50	49	45	38	67	59	56	54	51	43
	2000	58	48	45	43	40	31	63	54	50	48	45	37	66	57	53	51	48	41	71	62	59	56	53	46
	2500	61	50	47	45	42	34	66	56	53	50	47	40	69	59	56	53	50	43	74	65	61	58	56	49
	2800	62	52	48	46	43	35	67	57	54	51	48	41	70	61	57	54	51	44	75	66	62	59	57	50
3500	65	54	51	48	45	37	70	60	56	53	50	43	73	63	59	56	53	46	78	69	64	61	59	52	
4000	67	56	52	49	46	39	72	61	57	54	52	44	75	65	61	57	55	48	80	70	66	62	60	54	
24x16	3000	62	55	50	44	39	31	66	59	53	47	42	35	68	62	55	48	43	37	71	66	59	51	46	40
	4000	66	59	55	49	45	37	70	63	58	51	48	41	72	66	60	53	49	43	76	70	63	56	52	46
	5300	70	63	59	54	51	43	74	67	62	56	53	47	76	70	64	58	54	49	80	74	67	60	57	52
	6000	72	65	61	56	53	46	76	69	64	58	55	49	78	72	66	60	57	51	81	76	69	62	59	55
7000	74	67	63	58	56	49	78	71	67	61	58	52	80	74	69	62	60	54	84	78	72	65	62	58	
8000	76	69	65	60	59	52	80	73	69	63	61	55	82	76	71	65	62	57	85	80	74	67	65	61	

Performance Notes:

1. Test data obtained in accordance with AHRI Standard 880-2017 and ASHRAE Standard 130-2016.
2. Sound power levels include duct end corrections per AHRI Standard 880-2017.
3. AHRI certified data is highlighted in blue. All other data are application ratings.
4. Application ratings are outside the scope of the AHRI 880 Certification Program.
5. Dashes (-) indicate sound power levels below 36-29-26-22-19-17 for each octave band; values below these sound power levels are considered below significance per AHRI 880.

PERFORMANCE DATA



SDV with Silencer (SDVQ) – Discharge Sound Power Levels

Fiberglass Liner – Straight Silencer

Unit Size	Airflow cfm	Sound Power Levels Lw dB re 10 ⁻¹² Watts																							
		0.5 in.w.g. Octave Band					1.0 in.w.g. Octave Band					1.5 in.w.g. Octave Band					3.0 in.w.g. Octave Band								
		2	3	4	5	6	7	2	3	4	5	6	7	2	3	4	5	6	7	2	3	4	5	6	7
4	75	46	33	--	--	--	--	48	35	--	--	--	17	48	36	--	--	--	19	50	38	26	--	--	23
	125	54	40	--	--	--	--	55	43	28	--	--	20	56	44	30	--	--	22	57	46	33	--	--	26
	150	57	43	27	--	--	18	58	45	30	--	19	22	59	47	32	--	20	24	60	49	36	22	22	27
	225	63	50	32	--	20	21	64	52	36	--	22	24	65	53	38	23	23	26	66	55	41	26	25	30
5	125	52	36	--	25	19	--	56	40	--	26	19	--	59	42	--	26	19	--	62	45	--	27	20	--
	200	59	43	--	29	26	18	63	46	28	30	26	20	65	48	30	30	26	21	69	52	33	31	26	22
	250	62	46	30	31	29	23	66	50	33	32	29	24	68	52	34	32	29	25	72	55	37	33	30	26
	350	67	51	36	34	34	29	70	54	39	35	34	30	73	56	40	35	34	31	77	60	43	36	34	33
6	150	50	33	--	--	--	--	53	35	--	--	--	--	55	37	--	--	--	--	58	39	--	--	--	--
	225	55	39	--	--	--	--	58	42	27	--	--	--	60	43	29	--	--	--	63	46	33	--	--	17
	300	59	44	29	--	--	--	62	46	32	--	--	--	64	48	34	--	--	19	67	51	38	--	--	23
	400	63	49	34	22	20	18	66	51	37	24	22	22	68	53	39	25	23	25	71	55	43	27	25	29
	450	64	50	36	25	23	21	67	53	39	26	25	25	69	55	41	27	26	27	72	57	45	29	28	31
7	250	51	40	--	--	--	--	54	43	--	--	--	--	56	45	--	--	--	--	59	48	27	--	--	--
	350	56	44	--	--	--	--	59	47	29	--	--	--	61	49	31	--	--	17	64	52	34	--	--	19
	450	60	47	31	24	23	21	63	51	34	25	24	23	65	52	36	25	24	24	68	56	39	25	24	26
	550	63	50	35	29	28	27	66	53	38	30	29	29	68	55	40	30	29	30	71	58	43	30	29	32
	650	66	52	38	33	32	32	69	55	41	34	33	34	71	57	43	34	33	35	74	60	46	34	33	37
8	400	58	41	30	29	23	21	61	44	33	30	25	25	63	46	34	30	26	27	66	49	37	31	28	31
	500	61	45	33	32	28	25	64	48	35	33	30	29	66	50	37	33	31	31	69	53	39	34	33	35
	600	63	48	35	35	32	28	66	51	37	36	34	32	68	53	39	36	35	34	71	56	41	37	37	38
	700	65	51	36	37	35	30	68	54	39	38	37	34	70	56	41	38	38	37	73	59	43	39	40	40
	800	67	53	38	39	38	33	70	56	40	40	40	37	72	58	42	40	41	39	75	61	45	41	43	43
9	450	58	41	27	--	23	24	61	45	31	--	25	28	63	47	33	--	26	30	66	51	38	23	27	33
	650	62	46	32	26	30	29	66	50	36	27	31	33	68	53	39	28	32	35	71	57	43	29	34	39
	900	67	51	37	31	35	34	70	55	41	33	37	38	72	57	43	33	38	40	75	61	48	35	40	44
	1050	69	53	39	34	38	37	72	57	43	35	40	40	74	60	46	36	41	43	77	64	50	37	42	46
10	550	54	41	30	27	28	25	58	45	34	28	30	29	61	47	36	29	31	31	65	52	40	30	32	34
	750	59	45	34	32	34	31	63	49	38	33	36	34	65	52	40	33	36	37	69	56	44	34	38	40
	950	62	48	37	35	38	35	66	53	41	36	40	39	69	55	43	37	41	41	73	59	47	38	42	45
	1100	64	50	39	37	41	38	68	55	42	38	43	42	71	57	45	39	44	44	75	61	48	40	45	47
	1350	67	53	41	40	45	42	71	58	45	41	46	46	74	60	47	42	47	48	78	64	51	43	49	51
12	900	58	43	33	32	36	33	62	48	39	34	38	36	65	51	42	36	39	38	69	56	47	39	41	42
	1200	61	47	37	36	40	38	65	51	42	38	42	42	68	54	45	40	44	44	72	59	50	43	46	47
	1600	64	50	40	40	45	44	68	55	46	42	47	47	71	58	49	44	48	49	75	62	54	47	50	53
	1800	65	51	42	41	46	46	70	56	47	44	49	49	72	59	50	46	50	51	77	64	55	49	52	55
	2100	67	53	44	43	49	49	71	58	49	46	51	52	74	61	52	48	52	54	78	66	57	51	54	58
14	1000	55	41	34	32	37	32	60	47	39	35	40	37	63	50	42	37	41	40	68	55	48	40	44	44
	1500	60	46	39	37	43	39	65	52	45	40	45	44	68	55	48	42	47	46	73	60	53	45	50	51
	2100	65	50	44	42	47	45	70	56	49	45	50	49	73	59	52	47	52	52	77	64	58	50	55	57
	2500	67	52	46	44	50	47	72	58	52	47	53	52	75	61	55	49	54	55	80	66	60	52	57	60
	3000	69	55	49	46	52	51	74	60	54	50	55	55	77	63	57	51	57	58	82	69	63	54	60	63
16	1500	57	43	35	37	39	33	63	49	40	40	42	37	66	53	43	42	43	40	72	59	49	45	46	45
	2000	61	46	39	41	43	38	66	53	44	44	46	43	70	56	47	46	48	46	76	62	53	49	51	50
	2500	64	49	42	44	47	42	70	55	47	47	50	47	73	59	50	49	52	50	79	65	56	52	55	55
	2800	65	51	43	45	49	45	71	57	49	48	52	49	75	60	52	50	54	52	80	67	57	53	57	57
	3500	68	54	46	48	53	49	74	60	52	51	56	53	78	63	55	53	57	56	83	69	60	56	60	61
4000	70	55	48	50	55	51	76	61	53	53	58	56	79	65	57	55	60	59	85	71	62	58	63	63	
24x16	3000	61	53	43	38	42	37	66	59	49	42	46	43	69	63	53	45	48	47	75	69	60	50	52	53
	4000	64	56	46	40	45	41	70	62	52	45	49	48	73	65	56	48	51	51	78	72	63	53	55	57
	5300	67	58	49	43	49	45	73	65	55	48	52	52	76	68	59	51	55	55	81	74	66	55	58	61
	6000	69	60	50	44	50	47	74	66	56	49	54	53	77	69	60	52	56	57	83	76	67	57	60	63
	7000	71	61	52	46	52	49	76	67	58	50	56	56	79	71	62	53	58	59	85	77	68	58	62	65
8000	72	63	53	47	53	51	78	69	59	52	57	57	81	72	63	54	59	61	86	79	70	59	63	67	

Performance Notes:

- Test data obtained in accordance with AHRI Standard 880-2017 and ASHRAE Standard 130-2016.
- Sound power levels include duct end corrections per AHRI Standard 880-2017.
- AHRI certified data is highlighted in blue. All other data are application ratings.
- Application ratings are outside the scope of the AHRI 880-2017 Certification Program.
- Dashes (-) indicate sound power levels below 36-29-26-22-19-17 for each octave band; values below these sound power levels are considered below significance per AHRI 880-2017.

PERFORMANCE DATA

SDV with Silencer (SDVQ) – Radiated Sound Power Levels

Hospital Grade Liner (FF/PL) – Straight Silencer

Unit Size	Airflow cfm	Sound Power Levels Lw dB re 10 ⁻¹² Watts																							
		0.5 in.w.g. Octave Band						1.0 in.w.g. Octave Band						1.5 in.w.g. Octave Band						3.0 in.w.g. Octave Band					
		2	3	4	5	6	7	2	3	4	5	6	7	2	3	4	5	6	7	2	3	4	5	6	7
4	75	38	32	--	--	--	--	39	32	28	25	23	25	39	32	30	27	27	30	40	32	33	31	32	38
	125	48	42	32	28	23	19	48	42	35	32	28	27	49	43	37	34	31	32	49	43	40	38	37	40
	150	51	46	34	30	25	19	52	46	38	34	30	28	52	46	40	36	33	33	53	47	43	40	39	41
	225	58	54	40	36	29	21	59	55	43	39	34	29	59	55	45	42	37	34	60	55	48	45	43	42
5	125	42	32	--	25	21	19	44	34	29	29	27	27	45	35	31	31	31	31	46	38	35	35	37	39
	200	52	41	32	30	25	21	54	43	36	34	31	28	55	45	38	37	34	33	56	47	42	41	40	41
	250	57	46	36	33	26	22	58	48	40	37	33	29	59	49	42	39	36	34	61	51	46	44	42	41
	350	64	52	41	37	29	23	65	54	45	41	35	31	66	56	47	43	39	35	68	58	51	48	45	43
6	150	47	38	35	32	28	24	48	40	38	35	32	29	49	41	39	36	34	32	51	43	42	39	38	37
	225	52	43	37	33	29	23	54	45	40	36	33	29	55	46	41	37	35	32	56	48	44	40	39	37
	300	56	47	38	34	29	23	58	49	41	37	33	28	59	50	42	38	35	31	60	52	45	41	39	36
	400	60	51	40	35	29	23	62	52	42	37	33	28	62	54	44	39	35	31	64	55	46	42	39	36
	450	62	52	40	35	29	22	63	54	43	38	33	28	64	55	44	39	35	31	66	57	47	42	39	36
7	250	43	33	27	25	23	22	47	36	32	29	29	29	49	38	34	31	32	34	53	42	39	35	37	42
	350	49	38	31	29	26	23	53	42	36	33	31	30	55	44	39	35	34	35	59	48	43	39	39	43
	450	54	42	34	32	28	23	57	46	39	36	33	31	59	48	42	38	36	36	63	52	46	42	41	44
	550	57	46	36	34	29	24	61	49	41	38	34	32	63	52	44	40	37	36	67	55	49	44	42	44
	650	60	48	39	36	30	25	64	52	43	40	35	32	66	54	46	42	38	37	70	58	51	46	44	45
8	400	51	39	35	30	29	23	55	43	40	35	34	29	58	46	42	38	37	32	61	50	47	42	42	38
	500	54	42	37	33	32	25	58	47	42	37	36	31	61	49	45	40	39	35	64	53	50	44	44	41
	600	57	45	39	35	33	27	61	49	44	39	38	33	63	52	47	42	41	36	67	56	52	46	46	43
	700	59	47	41	36	35	28	63	52	46	41	40	35	65	54	48	44	42	38	69	59	53	48	47	44
	800	61	49	42	38	36	30	65	54	47	42	41	36	67	56	50	45	44	40	71	61	55	49	49	46
9	450	48	39	35	31	26	25	52	44	40	35	33	32	55	46	43	37	36	36	59	51	47	41	42	43
	650	53	44	39	35	31	30	57	49	44	39	37	37	59	51	47	42	40	41	64	56	52	46	46	48
	900	57	49	43	39	34	35	61	53	48	43	40	41	64	56	51	46	44	45	68	60	55	50	50	52
	1050	59	51	45	41	36	37	63	55	50	45	42	44	65	58	52	48	46	47	70	63	57	52	52	54
	1500	64	54	47	42	37	37	68	59	54	49	46	44	71	62	56	51	49	48	75	68	62	57	57	58
10	550	50	40	36	30	25	22	54	45	41	36	31	29	57	48	44	40	35	33	62	53	50	46	41	40
	750	54	44	40	34	29	26	59	49	45	40	35	32	61	52	48	44	39	36	66	57	53	50	45	43
	950	57	47	43	37	32	28	62	52	48	43	38	35	64	55	51	47	42	39	69	60	56	53	48	46
	1100	59	48	44	39	34	30	64	54	49	45	40	37	66	57	52	49	44	41	71	62	57	55	50	48
	1350	62	51	47	42	36	32	66	56	52	48	43	39	69	59	55	51	46	43	74	65	60	57	53	50
12	900	53	41	38	33	32	26	59	47	44	39	37	32	62	50	47	42	40	36	68	56	53	47	45	42
	1200	57	44	41	36	35	30	62	50	47	41	40	36	66	53	50	44	43	40	71	59	55	50	48	46
	1600	60	47	44	39	38	34	65	53	50	44	44	40	69	56	53	47	47	44	74	62	58	52	52	50
	1800	61	48	45	40	40	36	67	54	51	45	45	42	70	58	54	48	48	46	76	64	60	54	53	52
	2100	63	50	47	42	42	38	68	56	52	47	47	44	72	59	56	50	50	48	78	65	61	55	55	54
14	1000	46	43	43	38	33	27	52	49	48	44	39	34	55	52	52	47	43	38	61	57	57	53	49	45
	1500	51	47	47	42	37	31	57	53	52	47	43	38	60	56	55	51	46	42	66	61	61	57	52	48
	2100	55	51	50	44	40	34	61	56	55	50	46	41	64	59	58	54	49	45	70	65	64	60	55	52
	2500	57	52	52	46	41	36	63	58	57	52	47	42	66	61	60	55	51	46	72	67	65	61	57	53
	3000	60	54	53	47	43	37	65	60	59	53	49	44	69	63	62	57	53	48	74	68	67	63	59	55
16	1500	53	47	40	37	35	31	59	53	46	42	41	37	63	56	49	45	44	40	69	62	54	51	49	46
	2000	57	50	44	40	38	33	63	56	49	45	43	40	66	59	52	48	46	43	72	65	58	53	51	49
	2500	60	53	47	42	40	36	66	59	52	47	45	42	69	62	55	50	48	45	75	67	60	56	53	51
	2800	61	54	48	43	41	37	67	60	53	48	46	43	71	63	56	52	49	46	76	69	62	57	54	52
	3500	64	57	51	45	43	39	70	62	56	51	48	45	73	65	59	54	51	48	79	71	65	59	56	54
4000	66	58	52	47	44	40	72	64	58	52	49	46	75	67	61	55	52	50	81	73	66	60	58	56	
24x16	3000	67	60	55	50	45	40	71	63	58	53	48	43	73	65	60	55	50	45	76	68	63	59	54	49
	4000	72	64	59	54	49	44	75	67	62	57	52	48	77	69	64	59	54	50	80	73	68	63	58	53
	5300	76	68	63	58	52	49	79	71	67	61	56	52	81	73	69	63	58	54	85	77	72	67	61	58
	6000	78	70	65	59	54	51	81	73	69	63	58	54	83	75	71	65	60	56	87	78	74	69	63	60
	7000	80	72	68	62	56	53	84	75	71	65	60	57	86	77	73	67	62	59	89	81	76	71	65	62
	8000	82	74	70	63	58	55	86	77	73	67	62	59	88	79	75	69	64	61	91	83	78	73	67	64

Performance Notes:

1. Test data obtained in accordance with AHRI Standard 880-2017 and ASHRAE Standard 130-2016.
2. Sound power levels include duct end corrections per AHRI Standard 880-2017.
3. Application ratings are outside the scope of the AHRI 880-2017 Certification Program.
4. Dashes (-) indicate sound power levels below 36-29-26-22-19-17 for each octave band; values below these sound power levels are considered below significance per AHRI 880-2017.

PERFORMANCE DATA

SDV with Silencer (SDVQ) – Discharge Sound Data

Hospital Grade Liner (FF/PL) – Straight Silencer

Unit Size	Airflow cfm	Sound Power Levels Lw dB re 10 ⁻¹² Watts																							
		0.5 in.w.g. Octave Band						1.0 in.w.g. Octave Band						1.5 in.w.g. Octave Band						3.0 in.w.g. Octave Band					
		2	3	4	5	6	7	2	3	4	5	6	7	2	3	4	5	6	7	2	3	4	5	6	7
4	75	49	40	32	27	--	18	49	41	36	30	--	22	49	41	38	32	--	24	48	42	41	35	21	29
	125	57	49	38	34	--	20	57	50	42	37	--	24	57	50	44	39	21	27	57	51	47	42	26	31
	150	60	52	41	37	--	21	60	53	44	40	19	25	60	53	46	42	22	27	60	54	49	45	28	32
	225	67	59	46	42	--	22	67	60	49	45	23	27	66	60	51	47	26	29	66	61	54	50	31	33
5	125	52	42	36	31	--	19	54	44	39	34	--	23	55	46	41	35	--	25	56	48	45	38	22	30
	200	60	49	41	37	--	21	62	52	45	40	19	25	63	53	47	41	22	28	64	55	51	44	26	32
	250	64	53	44	39	--	22	65	55	48	42	21	26	66	57	50	44	23	29	68	59	54	47	28	33
	350	70	58	48	44	19	23	71	61	52	47	24	28	72	62	54	49	26	30	74	64	58	52	30	34
6	150	44	38	32	25	--	--	46	40	36	28	--	19	48	42	39	30	--	23	50	44	43	34	21	29
	225	51	46	38	31	--	--	53	48	42	34	--	22	55	50	44	36	20	26	57	52	48	40	26	32
	300	56	52	42	35	--	18	58	54	46	39	21	24	60	56	48	41	24	28	62	58	52	44	29	35
	400	61	58	46	39	--	20	63	60	50	43	24	27	65	61	52	45	27	30	67	64	56	49	33	37
	450	63	60	48	41	20	21	65	62	52	45	26	27	67	64	54	47	29	31	69	66	58	50	34	38
7	250	51	43	35	27	--	--	54	46	40	30	--	19	56	48	43	32	--	22	60	52	48	35	--	27
	350	56	49	40	33	20	20	59	52	45	36	22	25	61	54	48	38	23	28	64	58	53	41	25	33
	450	60	53	43	37	25	24	63	57	48	40	27	29	65	59	51	42	28	32	68	62	56	45	30	37
	550	62	57	46	40	29	27	66	60	51	43	31	32	67	62	53	45	32	35	71	65	58	48	34	40
	650	65	59	48	43	33	30	68	63	53	46	35	35	70	65	56	48	36	38	73	68	61	51	37	43
8	400	59	49	43	35	20	23	62	53	47	38	22	27	64	55	50	39	23	30	67	58	54	42	24	34
	500	61	52	46	38	27	28	65	56	50	41	28	32	67	58	53	43	29	35	70	62	57	46	30	39
	600	64	55	48	41	32	32	67	59	53	44	33	36	69	61	55	46	34	39	73	65	60	49	35	43
	700	66	58	50	44	36	36	69	62	55	46	37	40	71	64	57	48	38	42	74	68	62	51	39	46
	800	67	60	52	46	40	39	71	64	56	49	41	43	73	66	59	50	42	45	76	70	63	53	43	49
9	450	56	49	42	35	21	27	60	53	48	38	24	32	62	56	51	40	26	36	67	60	56	43	28	41
	650	61	54	47	40	30	33	65	58	52	43	33	38	67	61	55	45	34	42	71	65	61	48	37	47
	900	65	58	50	45	38	38	69	63	56	48	41	44	72	65	59	50	42	47	76	70	64	53	45	53
	1050	67	60	52	47	42	41	71	65	58	50	44	46	74	68	61	52	46	50	78	72	66	55	49	55
10	550	56	47	43	35	24	29	61	52	48	39	26	33	63	55	51	41	27	36	68	59	56	45	28	40
	750	60	52	47	39	32	36	65	56	52	43	34	40	67	59	55	45	35	42	72	63	60	49	36	46
	950	64	55	50	43	38	40	68	60	55	46	40	44	70	62	58	49	41	47	75	67	63	52	42	51
	1100	65	57	52	45	42	43	70	62	57	49	44	47	72	64	60	51	44	50	77	69	65	54	46	54
	1350	68	60	54	48	47	47	73	65	59	51	49	51	75	67	62	54	50	54	79	72	67	57	51	58
12	900	59	49	42	32	24	34	65	55	48	36	27	39	68	58	52	38	28	42	74	63	58	43	30	48
	1200	62	53	45	35	31	38	68	58	51	40	33	44	71	61	54	42	34	47	77	66	60	46	37	52
	1600	65	56	47	39	37	43	71	61	53	43	40	48	75	65	57	46	41	51	80	70	63	50	43	57
	1800	67	58	48	40	40	45	73	63	54	45	42	50	76	66	58	47	44	53	82	71	64	51	46	58
	2100	69	59	50	42	43	47	74	65	56	47	46	52	78	68	59	49	47	55	83	73	66	53	49	61
14	1000	56	47	42	35	30	35	61	53	48	39	33	40	65	57	52	42	34	42	71	63	58	47	37	47
	1500	60	51	45	39	37	40	66	57	51	43	39	45	69	61	55	46	41	48	75	67	61	50	43	53
	2100	64	55	48	42	42	45	70	61	54	46	45	50	73	64	58	49	46	52	79	70	64	54	49	57
	2500	66	56	49	44	45	47	72	62	55	48	47	52	75	66	59	51	49	55	81	72	65	55	51	60
	3000	68	58	51	45	48	50	74	64	57	50	50	55	77	68	61	53	52	57	83	74	67	57	54	62
16	1500	57	47	45	40	31	33	63	54	52	44	33	38	67	57	56	47	34	42	73	64	62	51	36	47
	2000	60	50	48	43	38	38	66	57	54	47	40	43	70	60	58	49	41	47	76	67	65	54	43	53
	2500	62	52	50	45	43	42	69	59	56	49	45	47	72	62	60	52	46	51	78	69	67	56	48	56
	2800	64	53	51	46	46	44	70	60	57	50	48	49	73	64	61	53	49	53	80	70	68	57	51	58
	3500	66	56	53	48	51	47	72	62	59	52	53	53	76	66	63	55	54	57	82	72	70	59	56	62
4000	67	57	54	49	54	50	73	63	60	54	56	56	77	67	64	56	57	59	83	73	71	61	59	65	
24x16	3000	61	55	51	43	40	44	67	61	58	49	44	50	70	65	61	53	46	54	76	71	67	59	50	61
	4000	63	57	53	45	43	46	69	63	59	51	47	53	72	67	63	55	50	57	78	73	69	61	54	63
	5300	66	59	55	46	46	49	71	65	61	53	51	55	75	69	65	56	53	59	80	75	71	62	57	66
	6000	67	60	56	47	48	50	72	66	62	53	52	56	76	69	65	57	54	60	81	76	71	63	59	67
	7000	68	61	56	48	50	51	73	67	63	54	54	58	77	70	66	58	56	61	83	76	72	64	60	68
8000	69	61	57	49	51	52	75	68	63	55	55	59	78	71	67	59	58	63	84	77	73	65	62	69	

Performance Notes:

- Test data obtained in accordance with AHRI Standard 880-2017 and ASHRAE Standard 130-2016.
- Sound power levels include duct end corrections per AHRI Standard 880-2017.
- Application ratings are outside the scope of the AHRI 880-2017 Certification Program.
- Dashes (--) indicate sound power levels below 36-29-26-22-19-17 for each octave band; values below these sound power levels are considered below significance per AHRI 880-2017.

price | **TERMINAL UNITS**

Product Improvement is a continuing endeavour at Price. Therefore, specifications are subject to change without notice. Consult your Price Sales Representative for current specifications or more detailed information. Not all products may be available in all geographic areas. All goods described in this document are warranted as described in the Limited Warranty shown at [priceindustries.com](https://www.priceindustries.com). The complete Price product catalog can be viewed online at [priceindustries.com](https://www.priceindustries.com).